



Architect: Paweł Jurkiewicz Studio

Photo : Pion Studio - IG

LOW VOLTAGE SYSTEM INSIGHT

A modern lighting system utilising track as a basis, powered by safe 48 V DC voltage. The luminaires can be easily installed on the track by one click, thus composing the lighting for the needs of the moment. Creating light lines, accenting details or

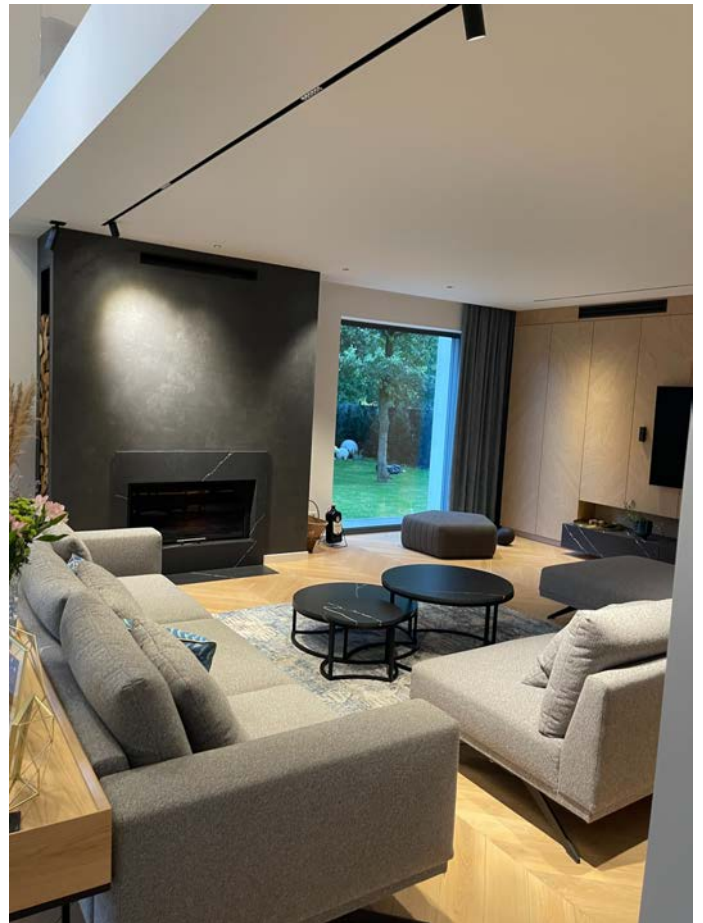
brightening selected spots becomes extremely easy and achievable in one system. Insight DALI luminaires feature dimming capabilities when paired with compatible additional devices and components.

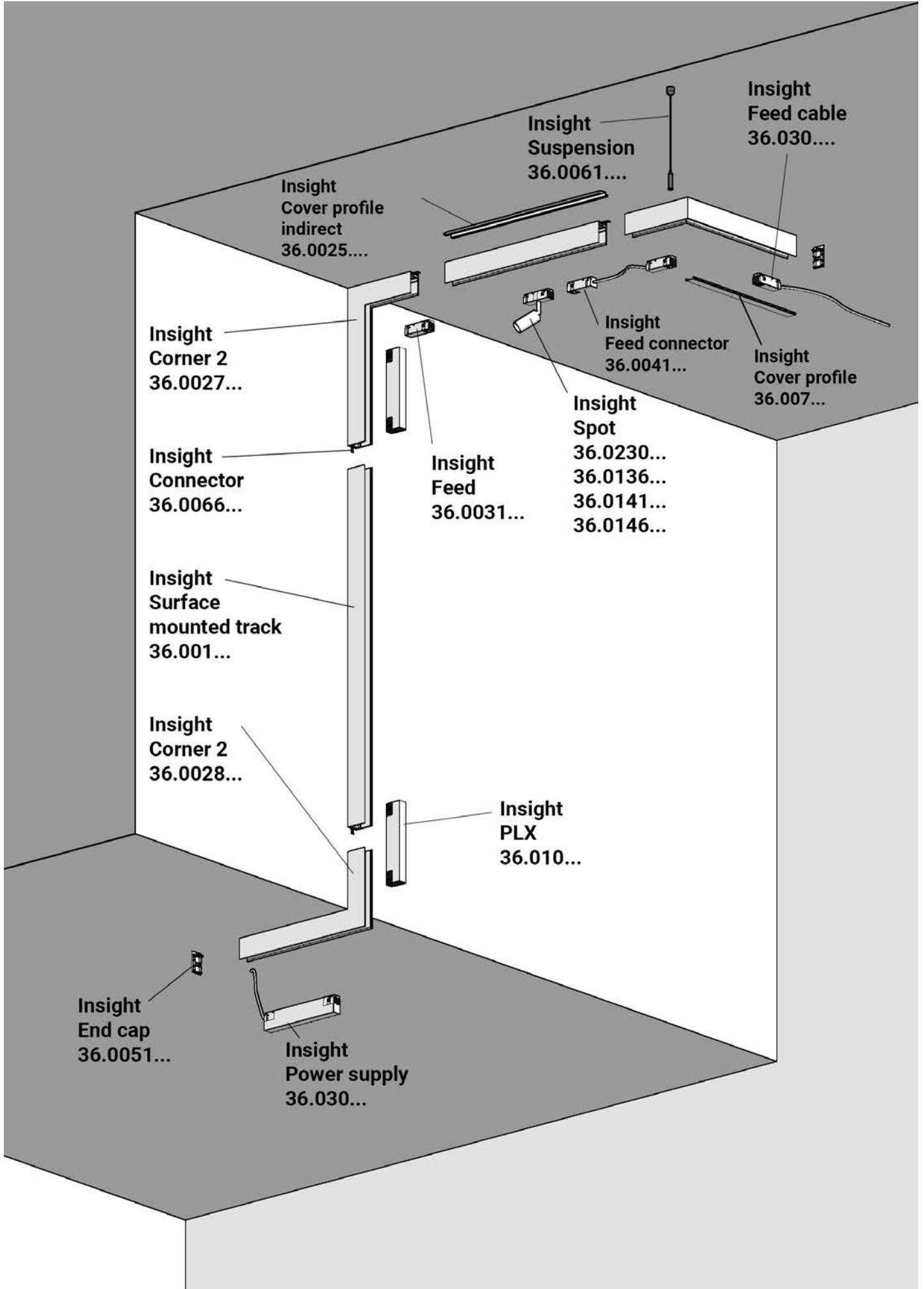


PROJECT

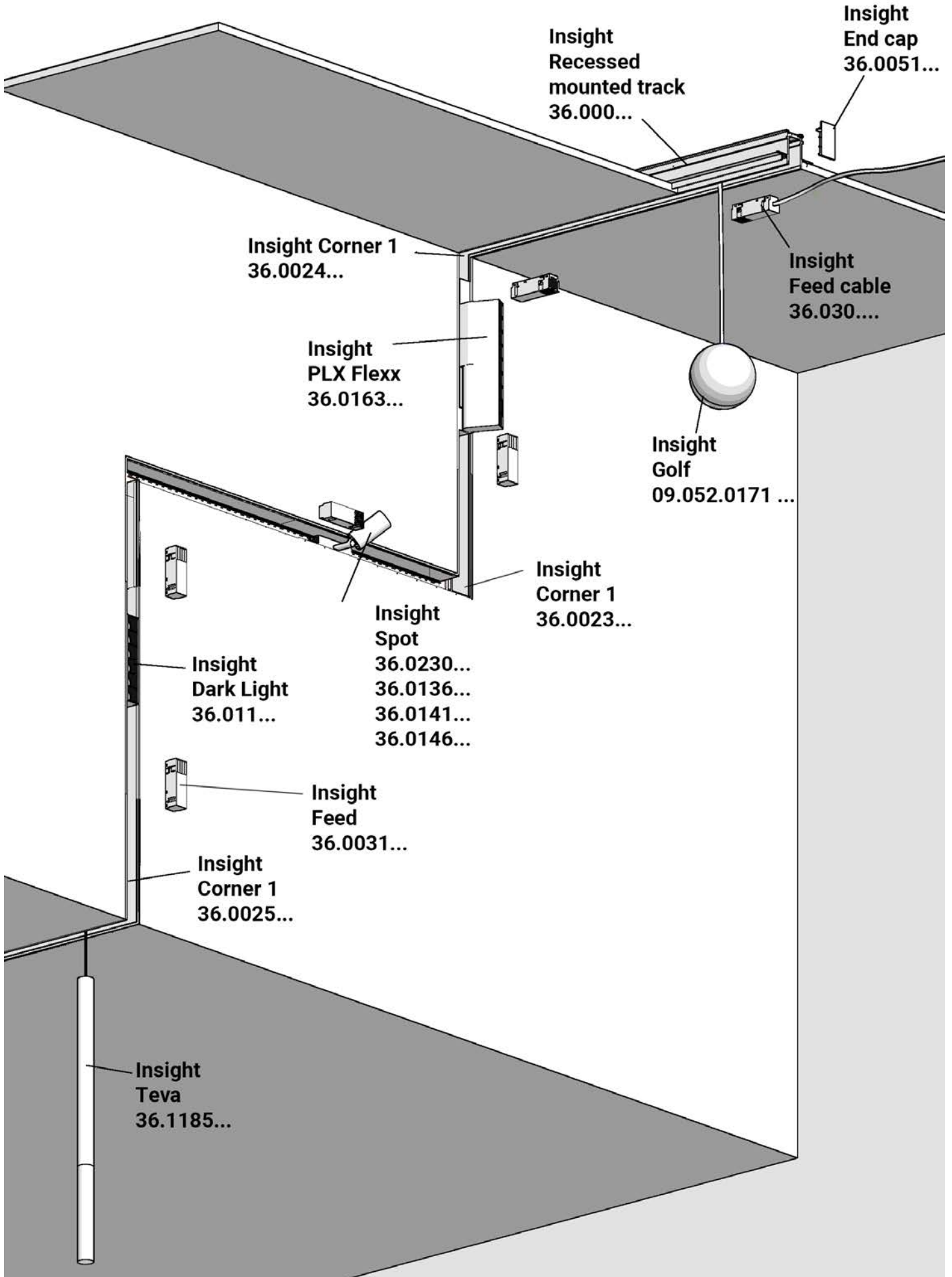


Private House Warsaw





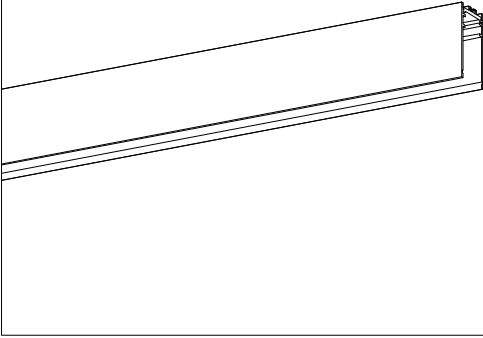
RECESSED MOUNTING



MOUNTING INSTRUCTION INSIGHT surface/suspended mounting

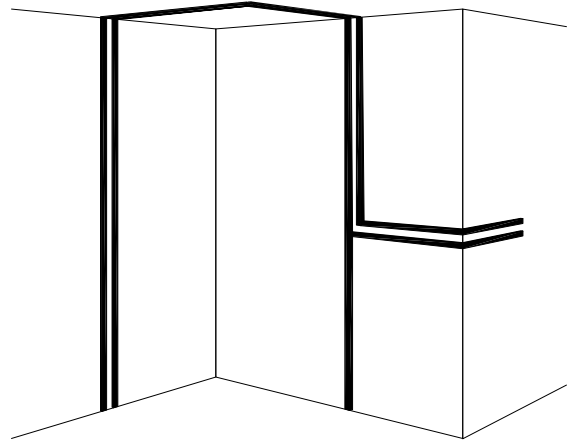
1

Insight surface mounting point 1 - 11
suspended mounting 12 - 27



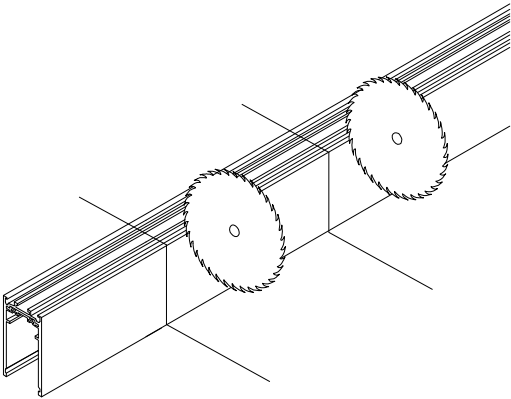
2

Possibility of mounting profile



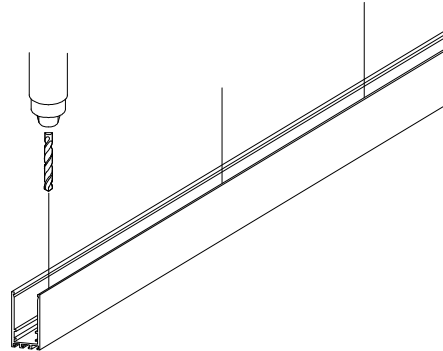
3

Cut the profile to the required length



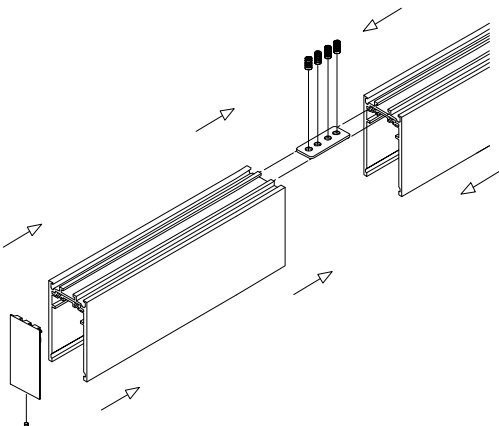
4

Drill a hole for the power supply cable



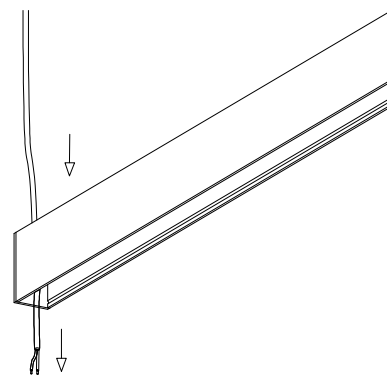
5

Z Install the endcaps in the profile, wedge it with a screw, connect the profiles into lines using connectors



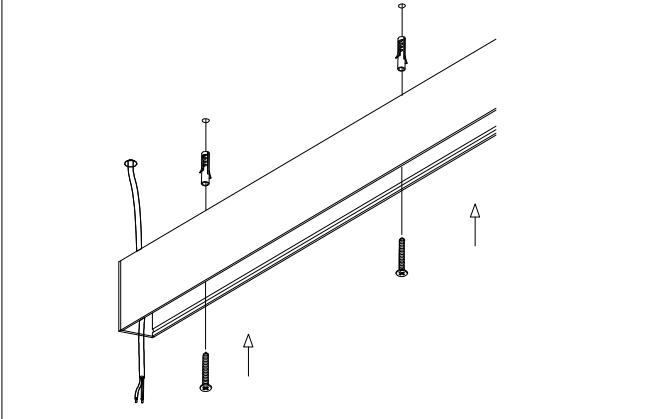
6

Pass the power supply cable through the profile



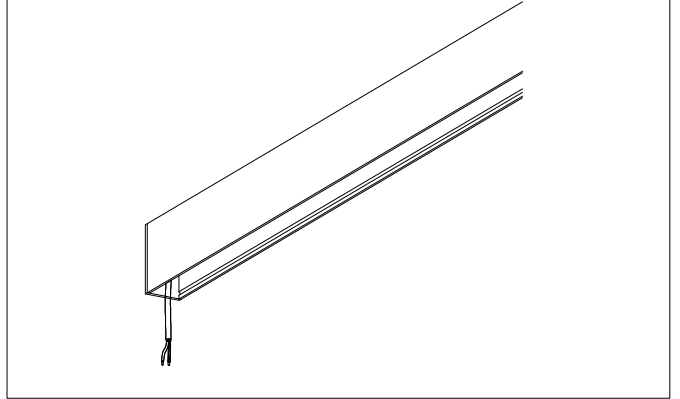
7

Fix the Insight profile to the surface



8

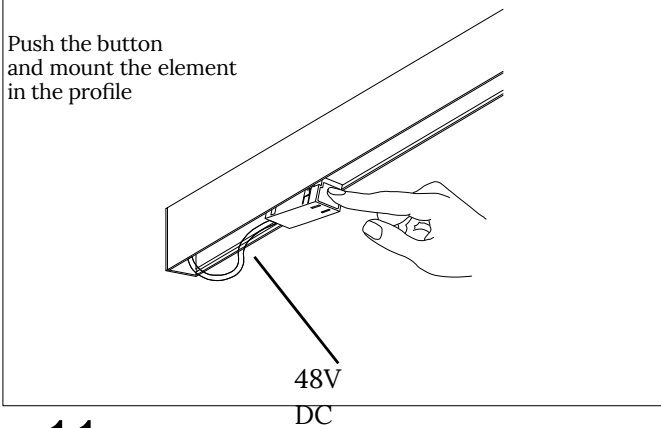
Connect the power supply to the Insight profile using a dedicated power supply or power tap. The operating voltage of the Insight system is 48V DC



9

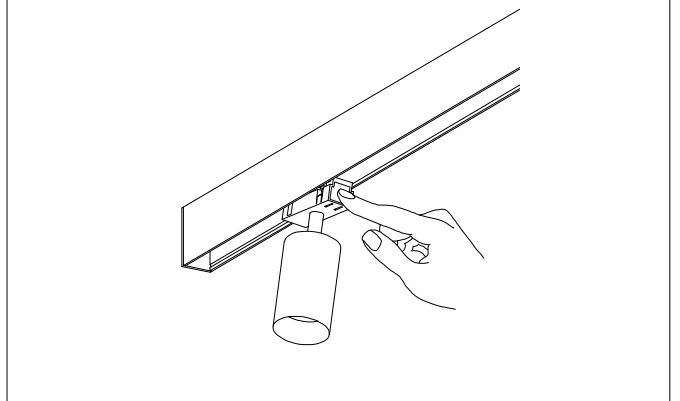
Connect the power supply to the Insight profile using a dedicated power supply or power tap. The operating voltage of the Insight system is 48V DC

Push the button and mount the element in the profile

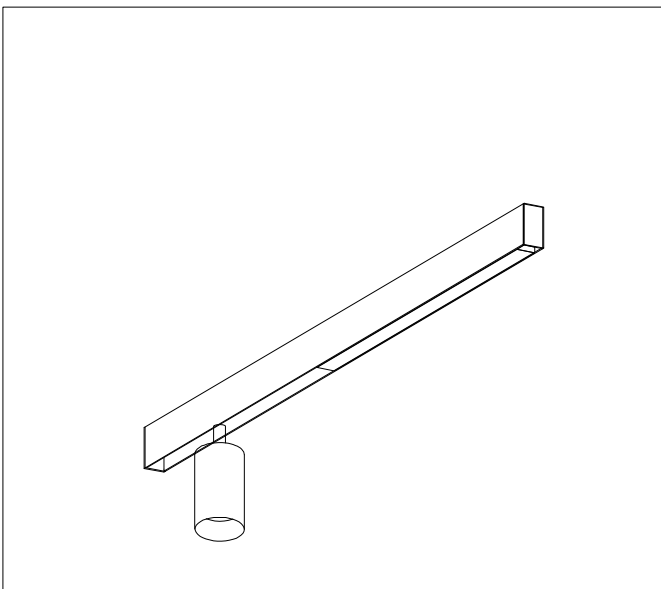


10

Install the fittings in the profile

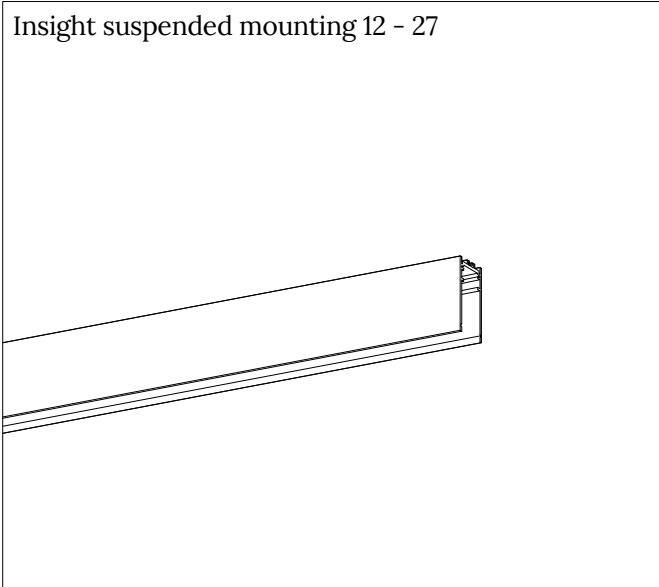


11



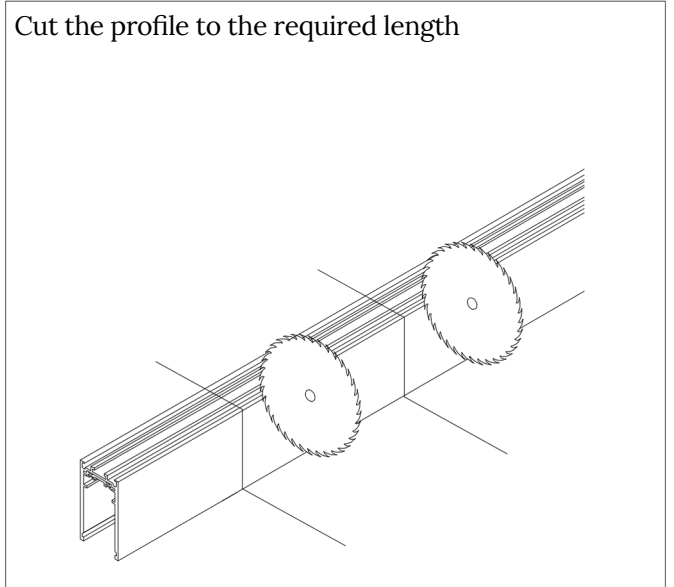
12

Insight suspended mounting 12 - 27



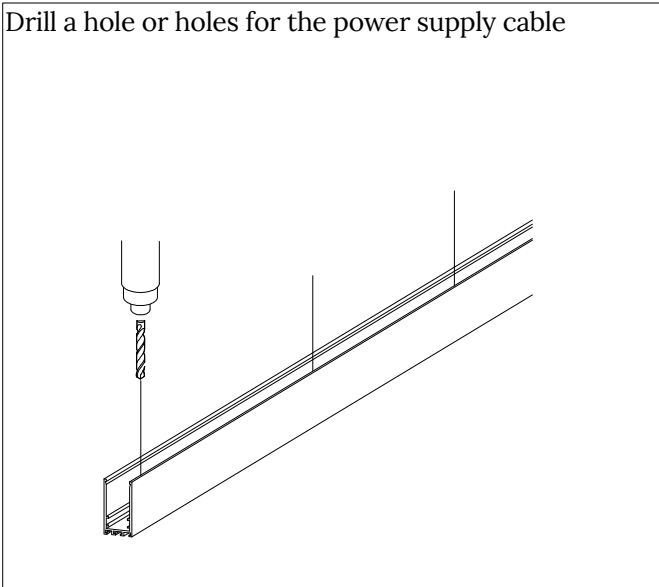
13

Cut the profile to the required length



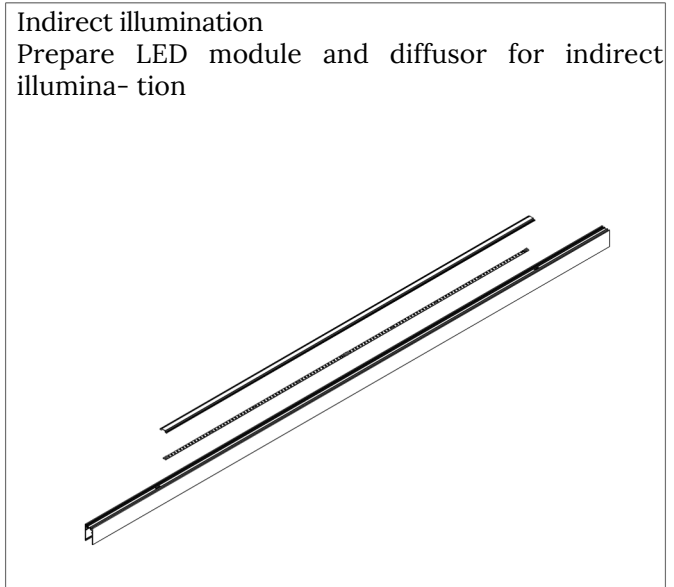
14

Drill a hole or holes for the power supply cable



15

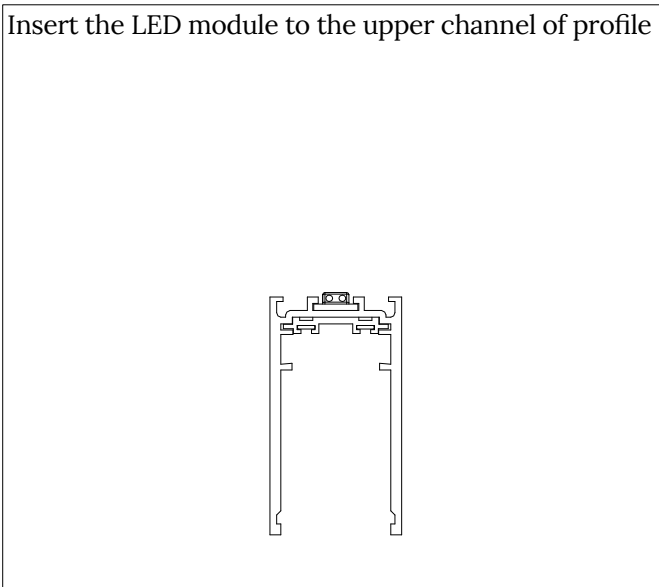
Indirect illumination
Prepare LED module and diffusor for indirect illumination



4

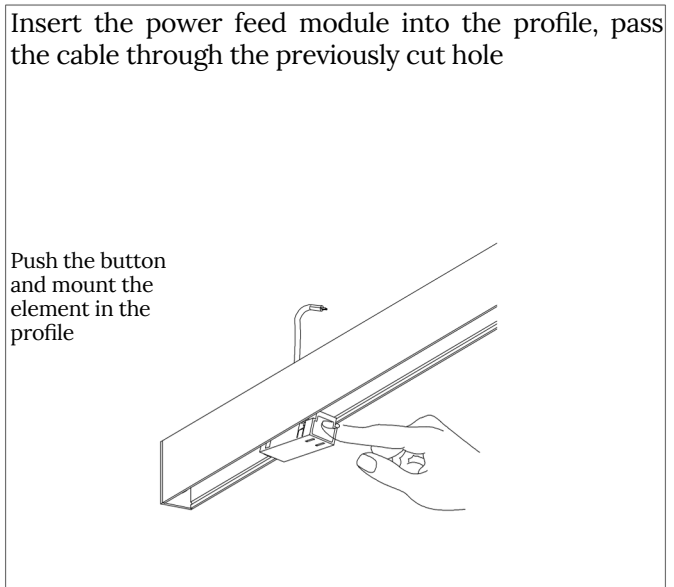
16

Insert the LED module to the upper channel of profile



17

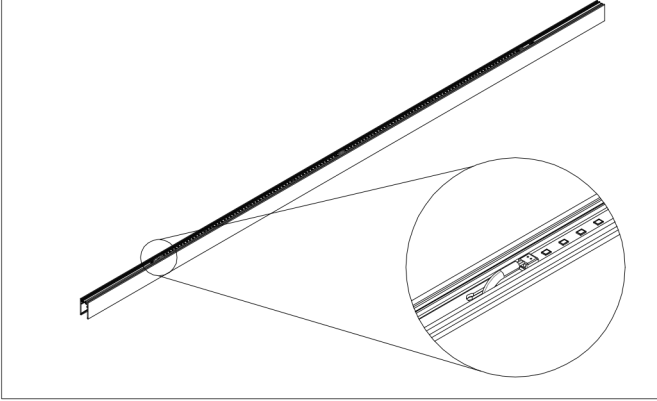
Insert the power feed module into the profile, pass the cable through the previously cut hole



Push the button and mount the element in the profile

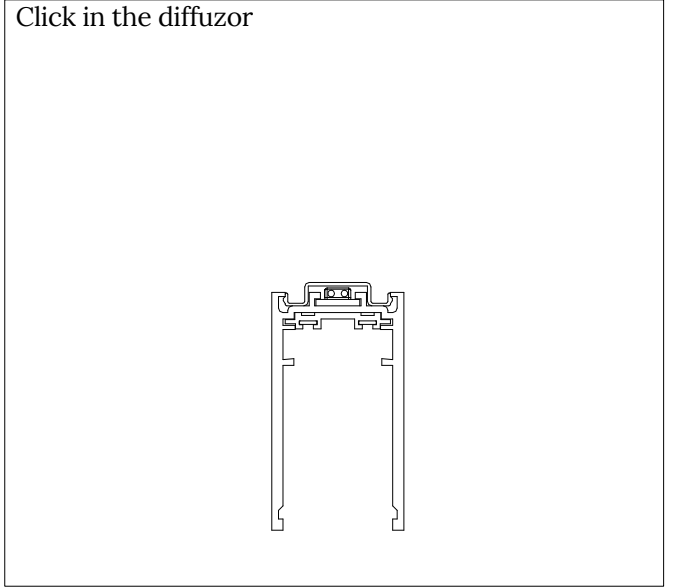
18

Connect the feed cable to the terminal block of LED module



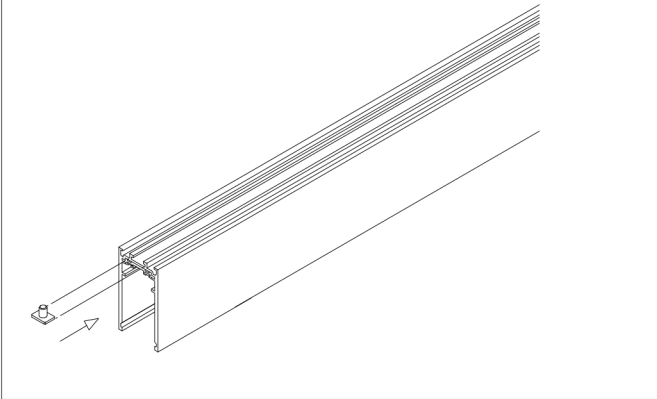
19

Click in the diffuzor



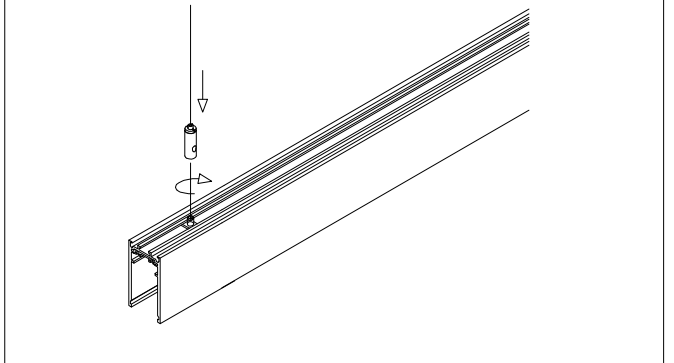
20

Insert the suspension elements into the Insight profile (min. 2 pcs per profile)



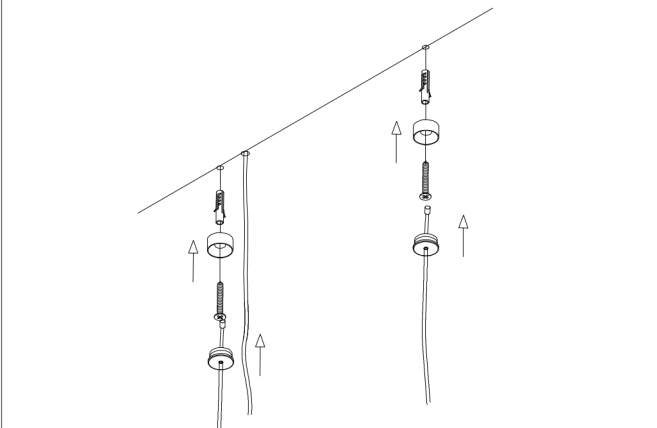
21

Pass the suspension lines through the stoppers, tighten the stoppers of the suspensions



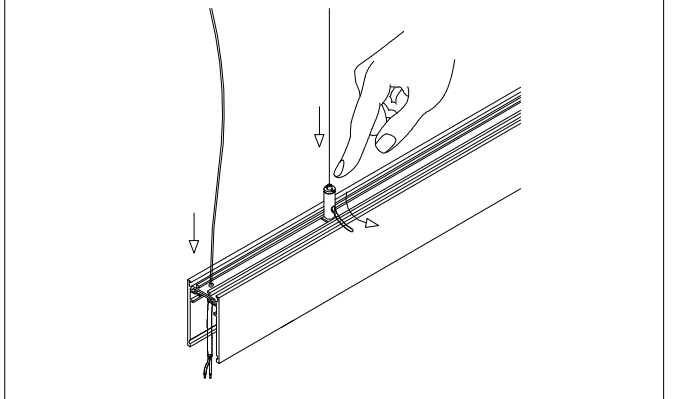
22

Attach suspension cables to the ceiling, use appropriate mounting dowels for a given surface



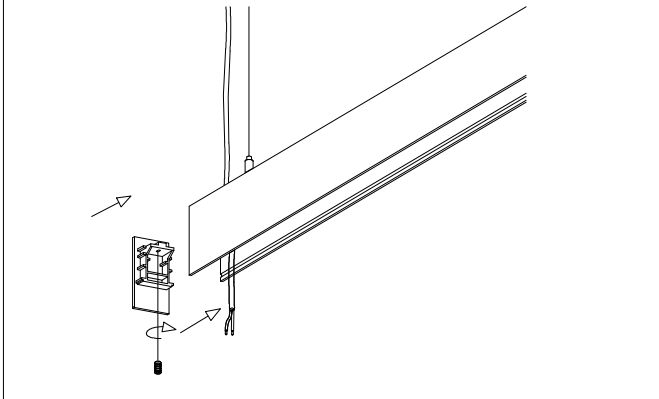
23

Adjust the height of the luminaire suspension, level it. Pass the feeding cable



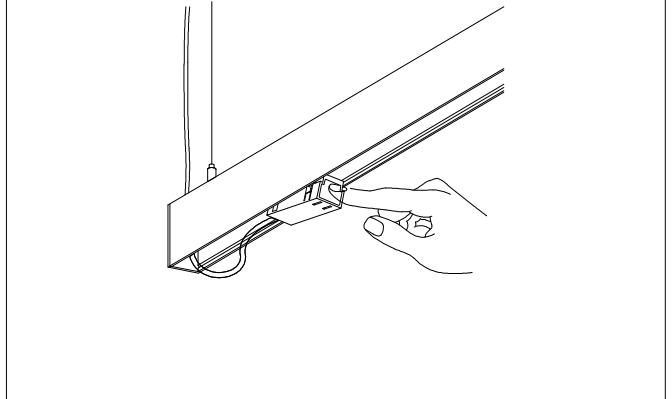
24

Install the endcaps in the profile, wedge it with a screw, connect the profiles into lines using connectors (shown on drawing 5)



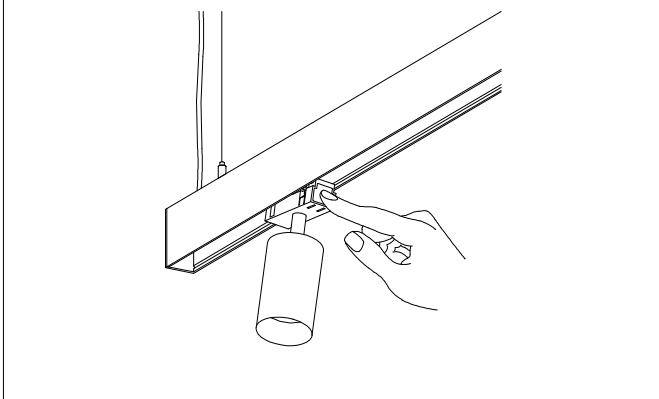
25

Connect the power supply to the Insight profile using a dedicated power supply or power tap. The operating voltage of the Insight system is 48V DC



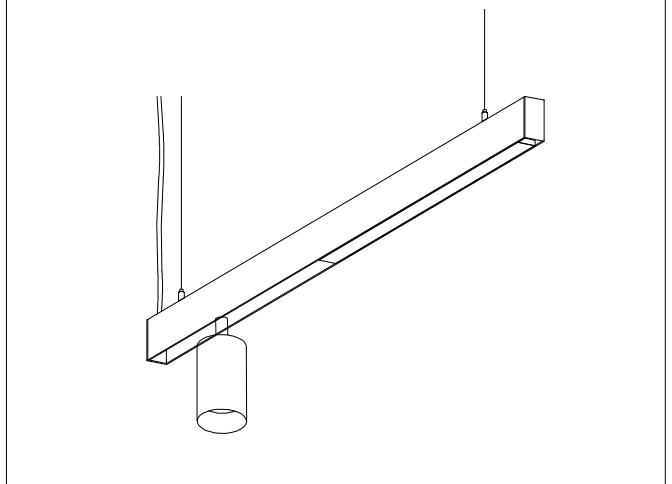
26

Install the fittings in the profile



27

Maximum permissible single current electric circuit 10A (480W) or 20mt



The 48V DC cables should be run separately from the mains connections and mains cables to ensure good EMC conditions.

The 48 V DC output wiring should be kept as short as possible to ensure good EMC.

The max. secondary cable length is 30 m (60 m circuit) till beginning of a grounded metal track light.

If track light is not grounded or made of plastic, cable length including track light is 30 m.

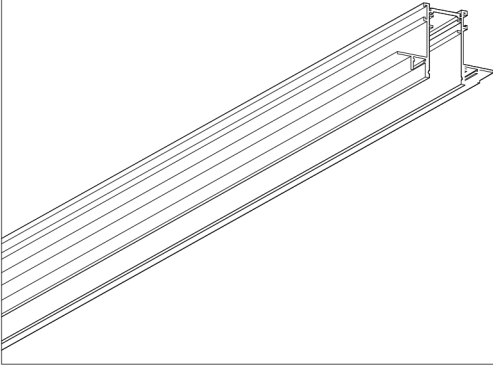
Inside the track light cable length is limited by voltage drop that last element 48V in the track light is still supplied with minimum 46 V.

Secondary switching is not permitted.

11 MOUNTING INSTRUCTION INSIGHT
recessed mounting

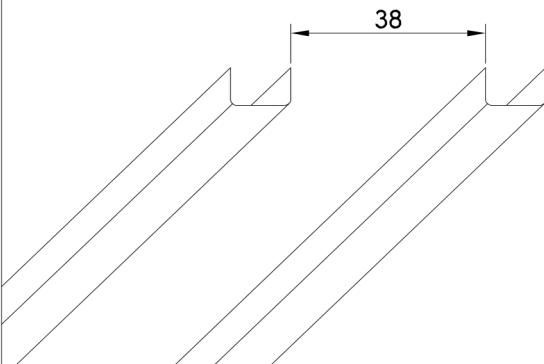
1

Insight - single and two layers installation
plasterboards



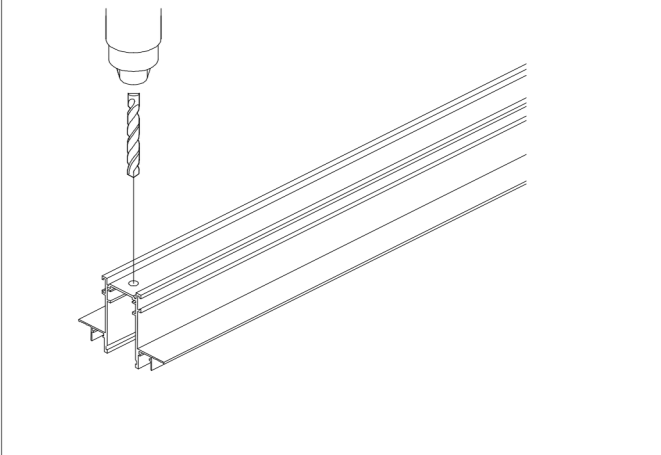
3

Arrange the construction profiles according to the
given dimensions



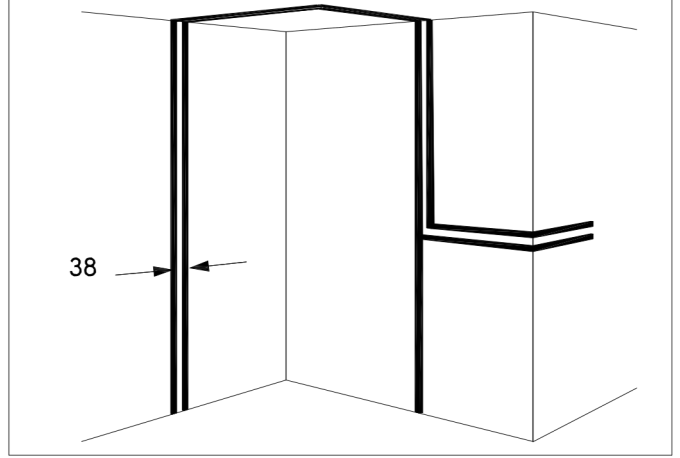
5

Drill a hole for the power supply cable



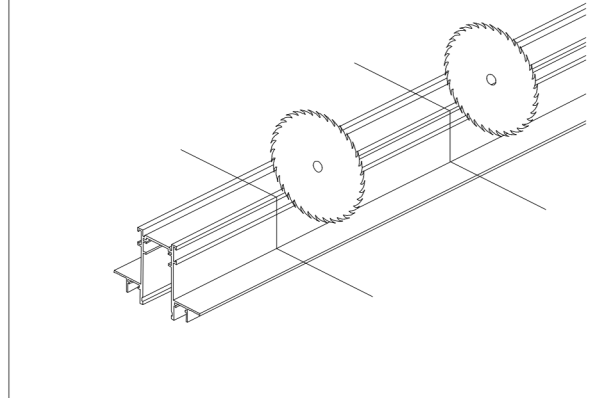
2

Possibility of mounting profile



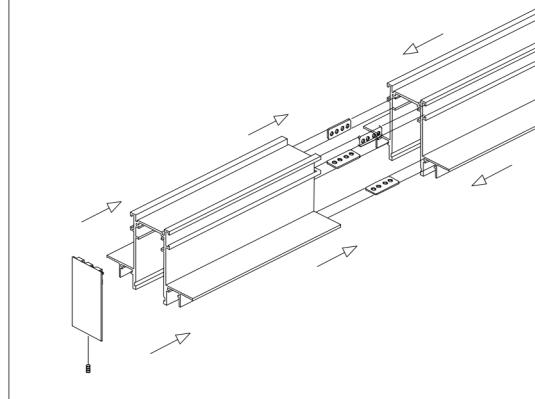
4

Cut the profile to the required
length



6

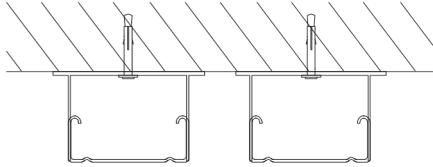
Install the endcaps in the profile, wedge it with a
screw, connect the profiles into lines using
connectors



INSIGHT - SINGLE LAYER INSTALLATION PLASTERBOARDS

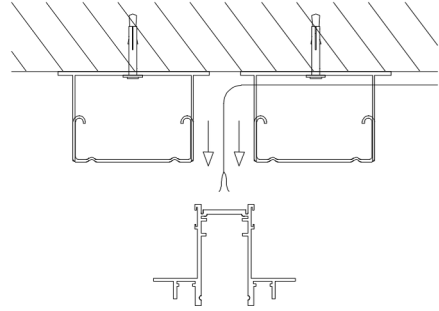
7

Fix the construction profiles to the ground



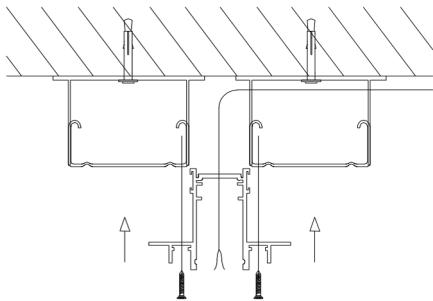
8

Pass the power supply cable through the profile



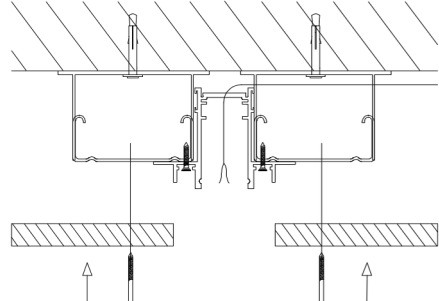
9

Attach the Insight profile to the construction profiles



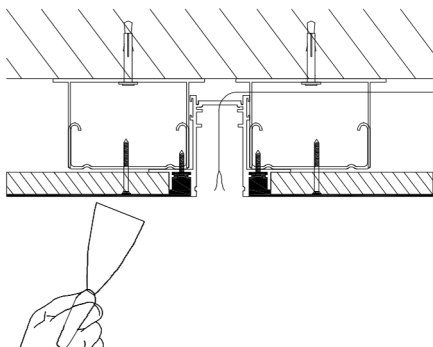
10

Screw the plasterboards to the construction profiles



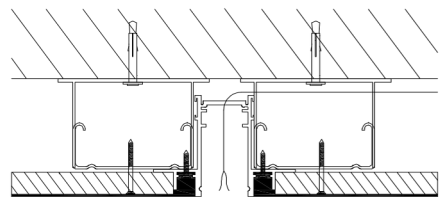
11

Fill the gaps between the Insight profile and the plaster board



12

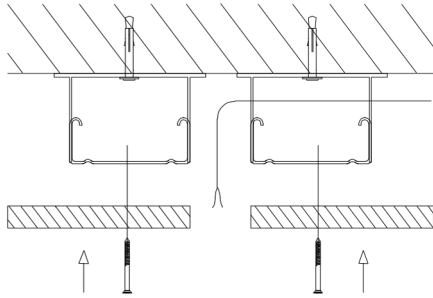
The ready mounted profile is flush with the ceiling / wall surface



INSIGHT - INSTALLATION WITH THE USE OF TWO LAYERS OF PLASTERBOARD

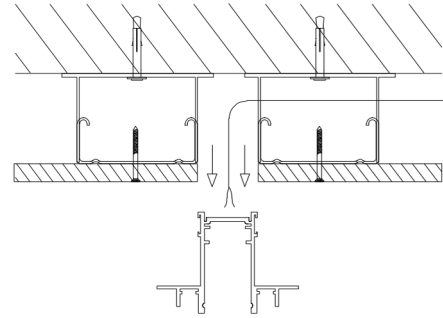
7a

Fix the construction profiles to the ground. Pass the power supply cable through the profile, screw the plasterboards



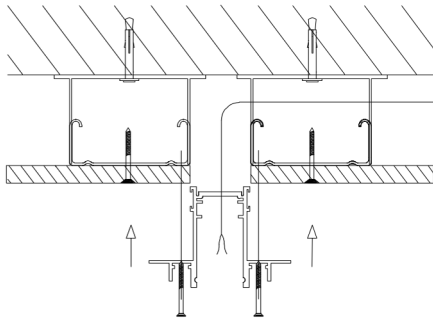
8a

Pass the power supply cable through the profile



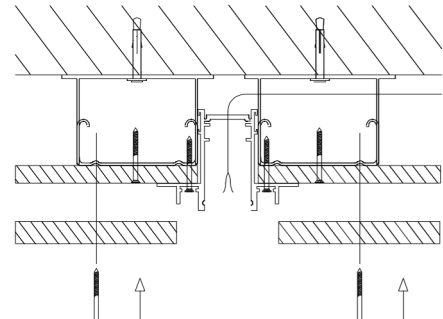
9a

Attach the Insight profile to the construction profiles



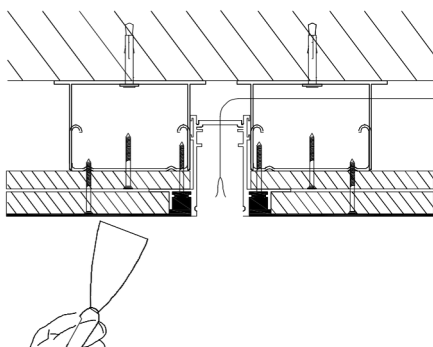
10a

Screw the second layer of plasterboards



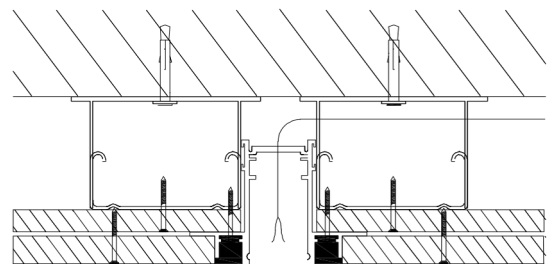
11a

between the Insight profile and the plasterboard



12a

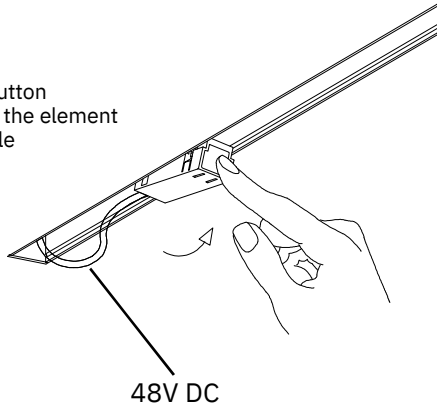
The ready mounted profile is flush with the ceiling / wall surface



13

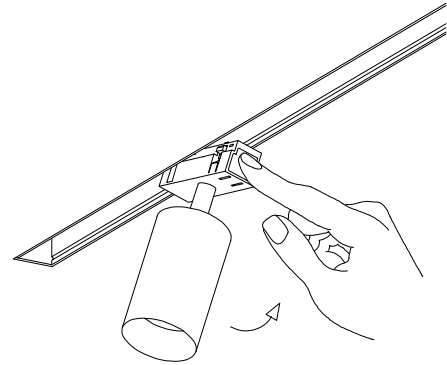
Connect the power supply to the Insight profile using a dedicated power supply or power tip. The operating voltage of the Insight system is 48V DC

Push the button and mount the element in the profile



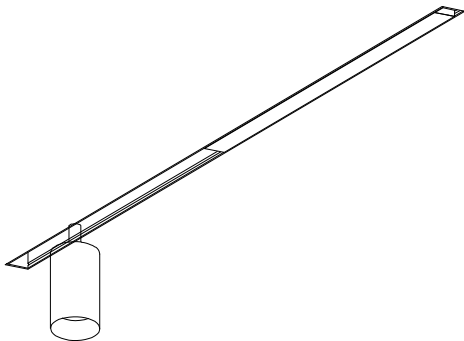
14

Install the fittings in the profile



15

Maximum permissible single current electric circuit - 10A (480W) or 20mt



The 48V DC cables should be run separately from the mains connections and mains cables to ensure good EMC conditions.

The 48 V DC output wiring should be kept as short as possible to ensure good EMC.

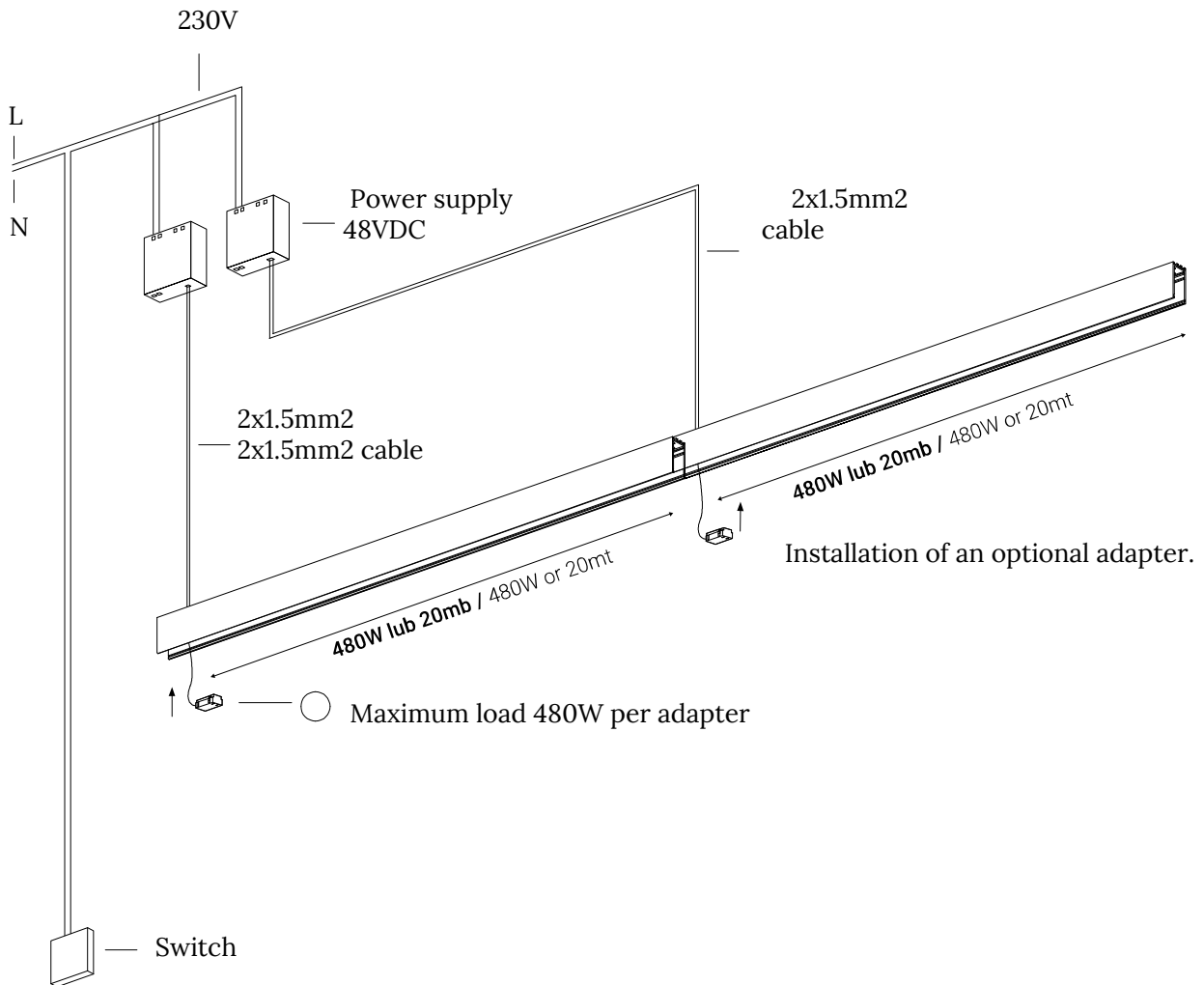
The max. secondary cable length is 30 m (60 m circuit) till beginning of a grounded metal track light.

If track light is not grounded or made of plastic, cable length including track light is 30 m.

Inside the track light cable length is limited by voltage drop that last element 48V in the track light is still supplied with minimum 46 V.

Secondary switching is not permitted.

CONNECTING NON-DIMMABLE POWER TO THE SWITCH 230V



Do not overload one power supply.

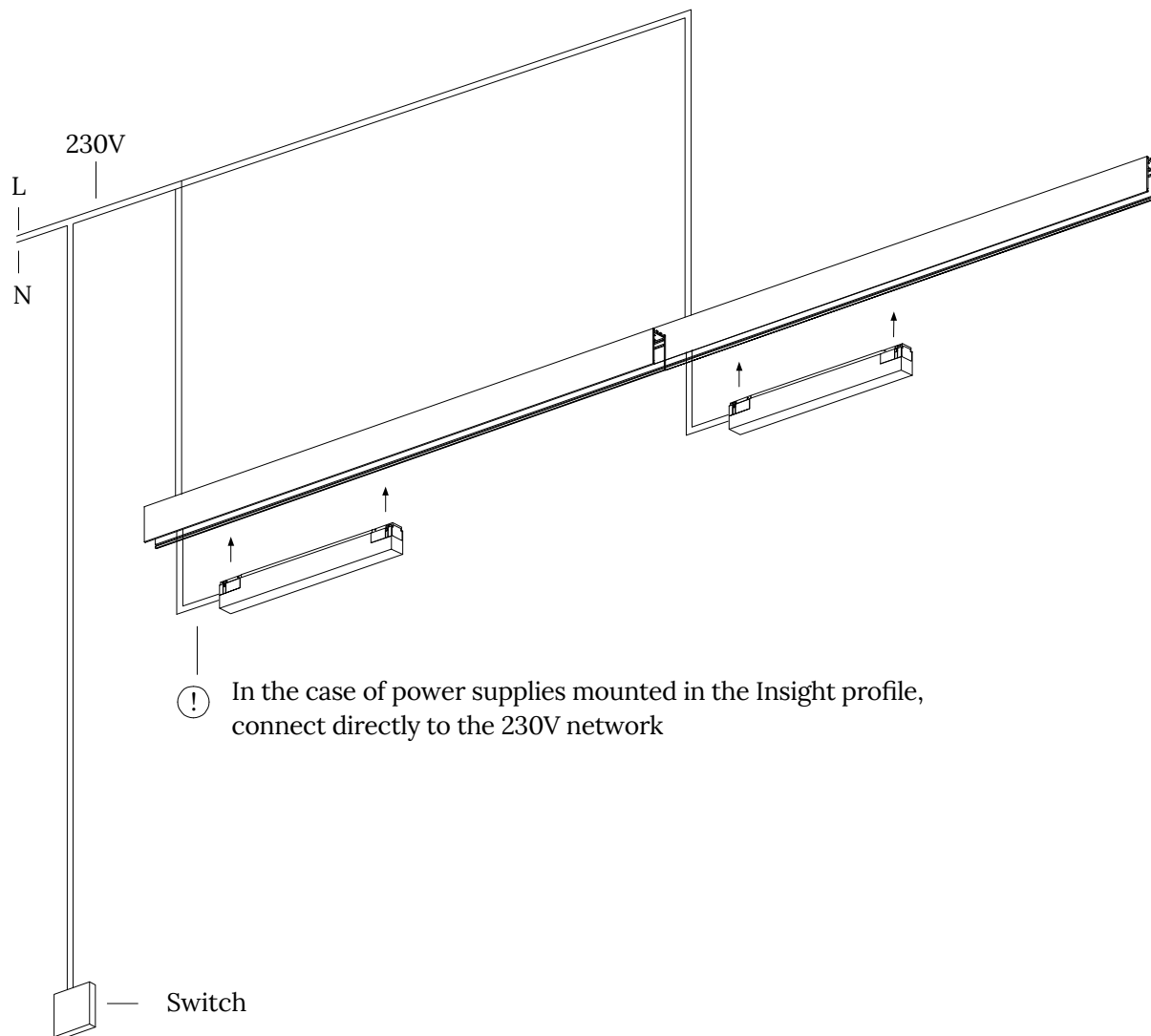
When exceeding the maximum load, use an additional power supply.

Each 20 meters of the Insight profile must be connected to a separate power adapter.

The maximum load of a group of Insight profiles connected to one adapter should not exceed 480W.

It is recommended to install the power supplies in the switchgear or the inspection opening.

CONNECTING NON-DIMMABLE POWER TO THE SWITCH



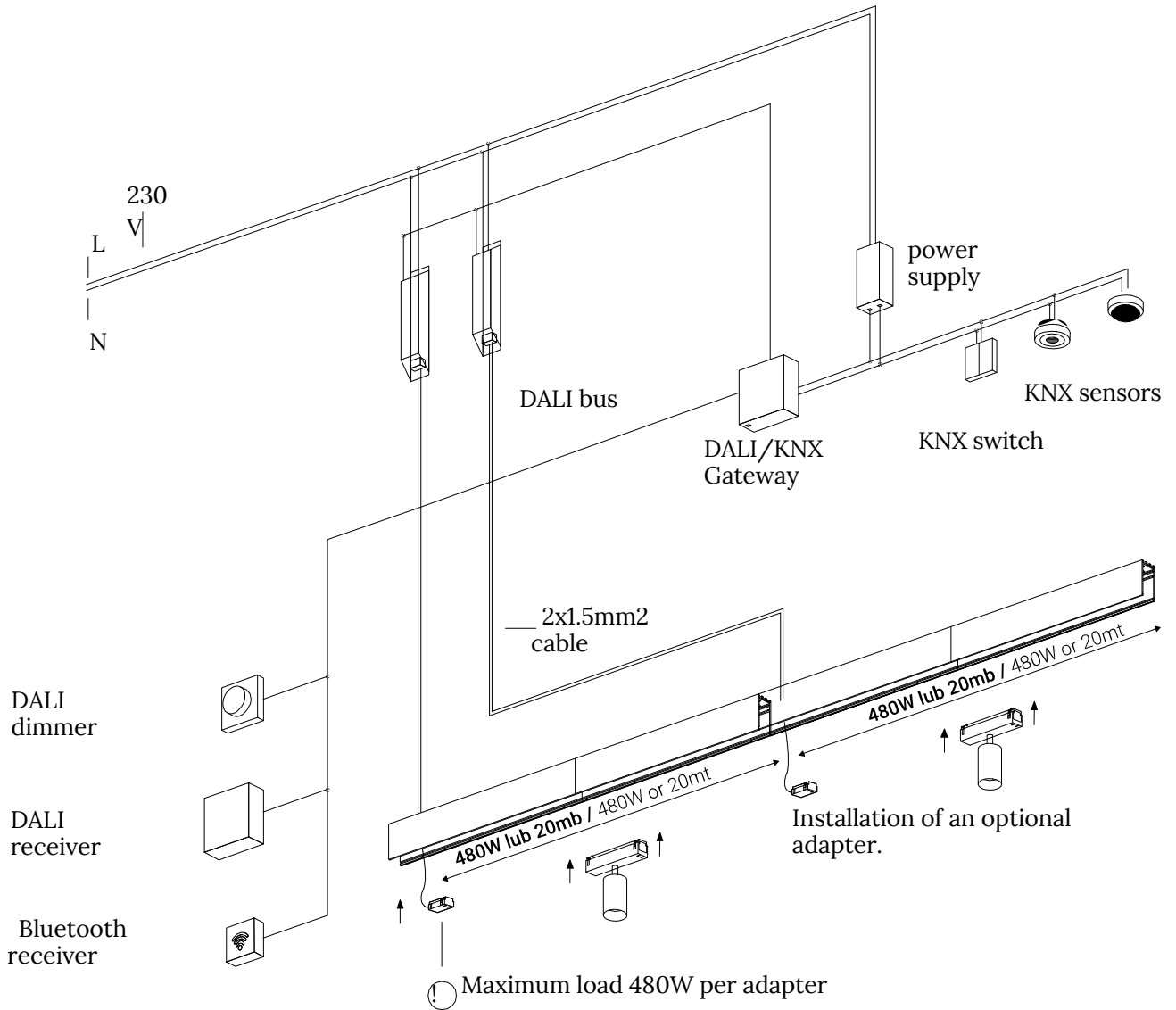
Do not overload one power supply.

When exceeding the maximum load, use an additional power supply.

Each 20 meters of the Insight profile must be connected to a separate power adapter.

The maximum load of a group of Insight profiles connected to one adapter should not exceed 480W. It is recommended to install the power supplies in the switchgear or the inspection opening.

POWER CONNECTION WITH DALI / KNX DIMMING FUNCTION



The new technology enables control and power supply via two wires. The DALI addresses are assigned to the luminaires via software. Power supplies supporting DALI mode must be connected to the DALI controller.

Do not overload one power supply.

When exceeding the maximum load, use an additional power supply.

Each 20 meters of the Insight profile must be connected to a separate power adapter.

The maximum load of a group of Insight profiles connected to one adapter should not exceed 480W.

It is recommended to install the power supplies in the switchgear or the inspection opening.

PROJECT



Interiors of Fashion Lab design studios

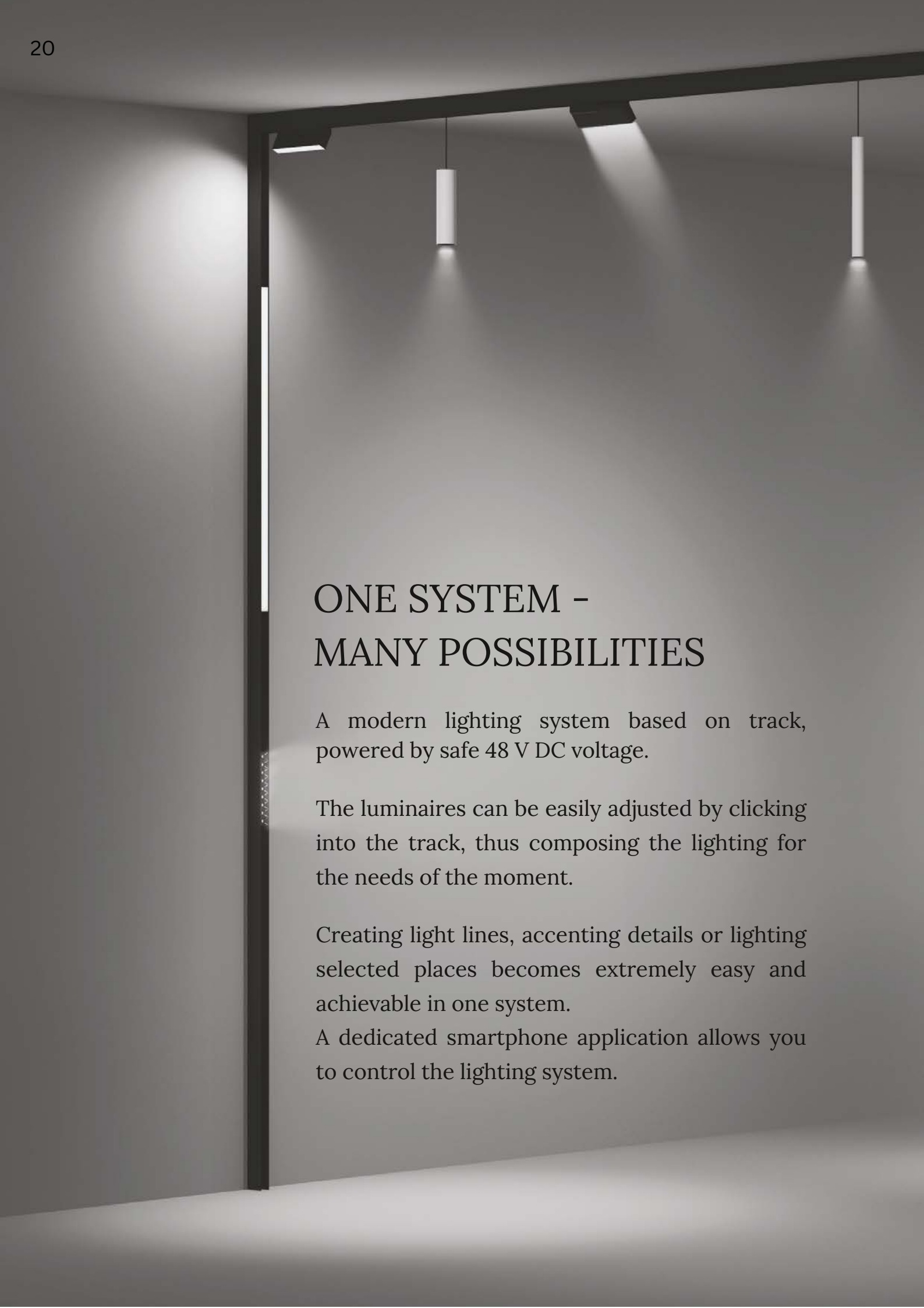
Photos and concepts STUDIO 1:1



INSIGHT SYSTEM

- Insight PLX - The uniform luminous surface of the luminaire and the possibility of grouping them together makes creating light lines on walls and ceilings extremely easy. Insight PLX is available in two sizes with a choice of luminous flux 680 or 1300 lm.
- Insight Dark Light - the source of light hidden behind lenses provides excellent illumination with minimal glare. The range includes modules with three, six or nine LEDs that determine the length of a component with a choice of luminous flux 330, 660 or 990 lm and 25° beam angle.
- Insight Spot - the most flexible element of the system. Despite its compactness, the reflector offers a solid luminous flux, of up to 2000 lm. Various sizes of projectors and beam angles are available, thanks to the ability to select from a variety of lenses.
- Insight Flex - the adjustable versions of the PLX and DARK LIGHT modules retain all the features of their basic versions, providing the possibility of tilting up to 90° and directing light. Accenting a detail, illuminating a chosen place or wall no longer has to be associated with a separate system.
- Insight Tube - this pendant element is suitable for lighting dedicated areas in a room, providing portable light for work, meetings or relaxation. The range includes a choice of two sizes of luminaire, with the possibility of selecting luminous flux - 650 or 2830 lm and 46° or 30° beam angle.





ONE SYSTEM - MANY POSSIBILITIES

A modern lighting system based on track, powered by safe 48 V DC voltage.

The luminaires can be easily adjusted by clicking into the track, thus composing the lighting for the needs of the moment.

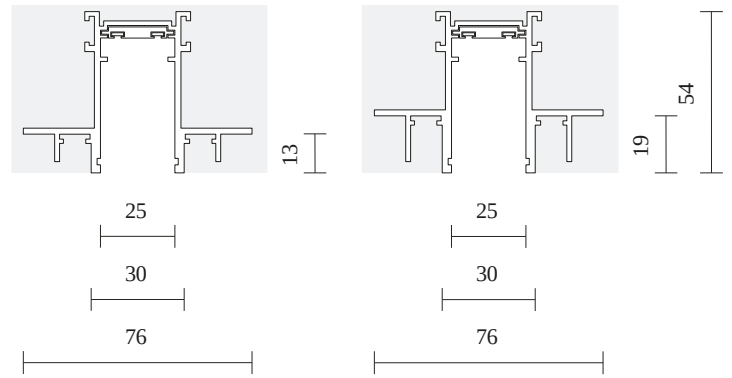
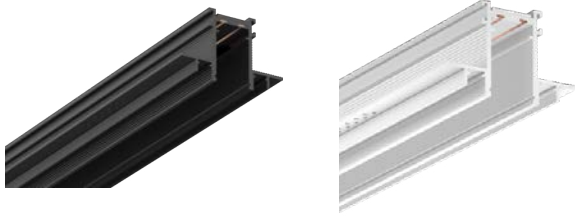
Creating light lines, accenting details or lighting selected places becomes extremely easy and achievable in one system.

A dedicated smartphone application allows you to control the lighting system.

INSIGHT RECESSED PROFILE TRIMLESS

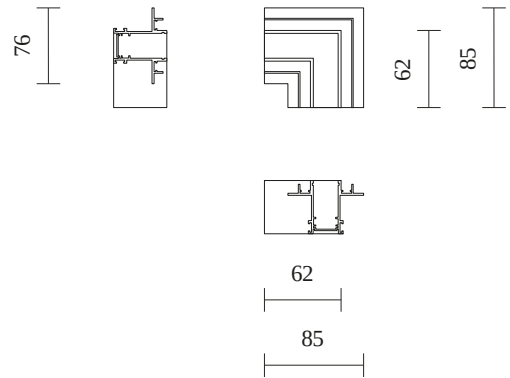
CODE: **36.000 ...**

Length L [mm]: **1000,2000,3000**



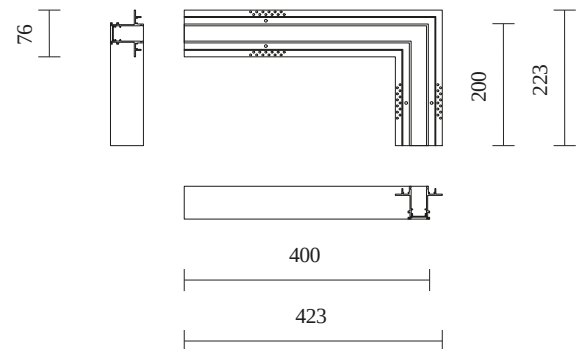
INSIGHT SHORT RECESSED CONNECTOR

CODE: **36.0021 ...**



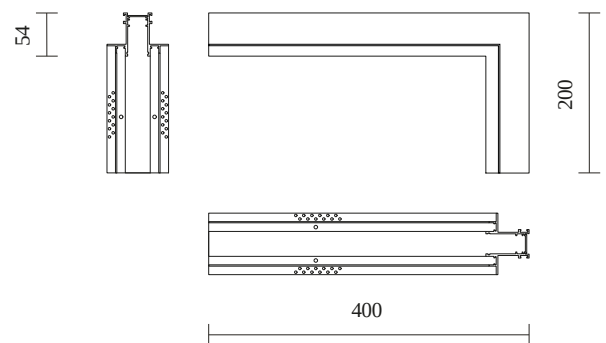
INSIGHT CEILING/WALL CONNECTOR

CODE: **36.0023 ...**



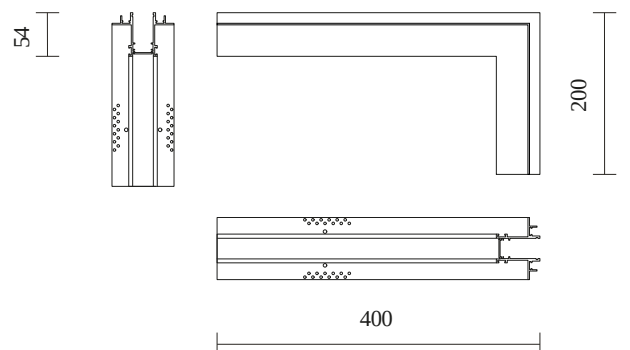
INSIGHT CEILING-EXTERNAL WALL CONNECTOR

CODE: **36.0024 ...**



INSIGHT CEILING-INTERNAL WALL CONNECTOR

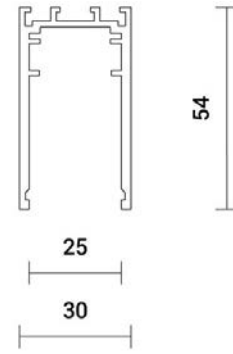
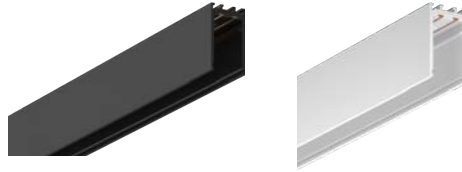
CODE: **36.0025 ...**



INSIGHT SURFACE/SUSPENDED MOUNT PROFILE

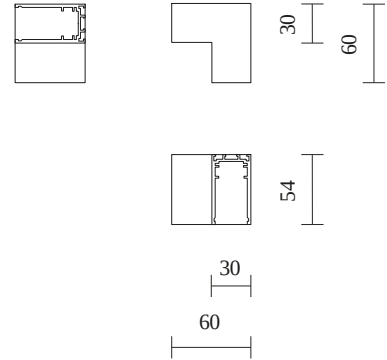
CODE: **36.00** ...

Length L [mm]: **1000,2000,3000**



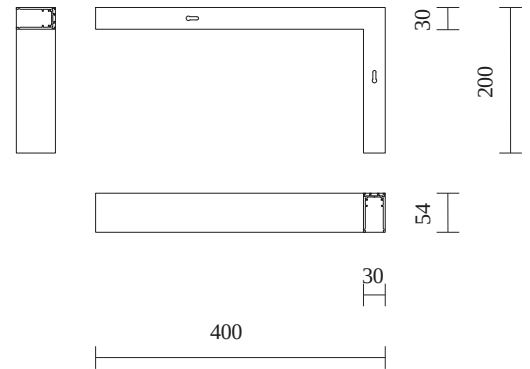
INSIGHT SHORT SURFACE MOUNT CONNECTOR

CODE: **36.0022** ...



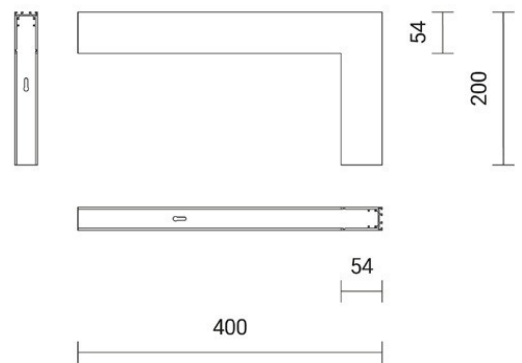
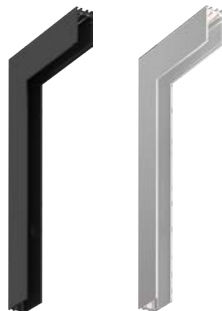
INSIGHT CEILING CONNECTOR

CODE: **36.0026** ...



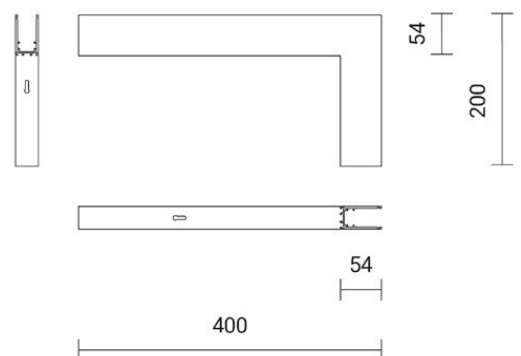
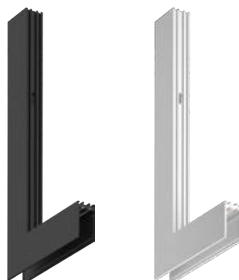
INSIGHT CEILING-EXTERNAL WALL CONNECTOR

CODE: **36.0027** ...



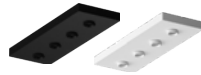
INSIGHT CEILING-INTERNAL WALL CONNECTOR

CODE: **36.0028** ...



INSIGHT MECHANICAL CONNECTOR

CODE: **36.0066 ...**



CODE: **36.0067 ...**



INSIGHT COVER

CODE: **36.0071 ...**

Length L [mm]: **1000**

CODE: **36.0072 ...**

Length L [mm]: **2000**



CODE: **36.0073 ...**

Length L [mm]: **3000**

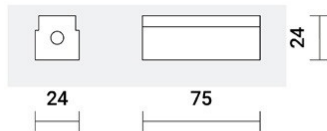
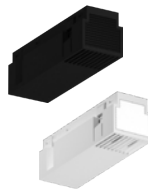
INSIGHT CAP

CODE: **36.0051 ...**



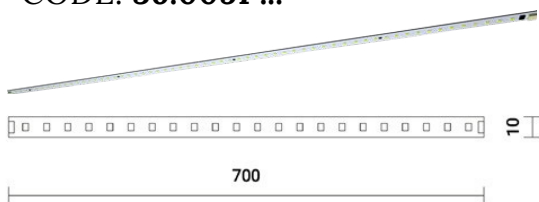
INSIGHT LINEAR ELECTRIC SWITCH

CODE: **36.0031 ...**



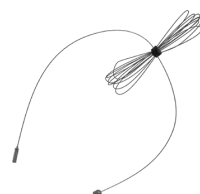
INSIGHT LED MODULE

CODE: **36.0051 ...**



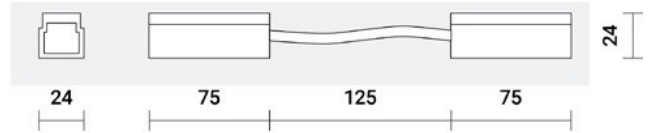
INSIGHT SUSPENSION

CODE: **36.0061 ...**



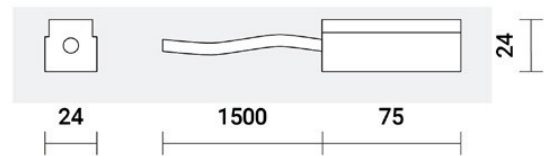
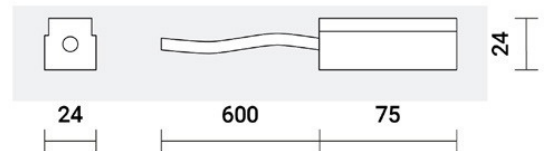
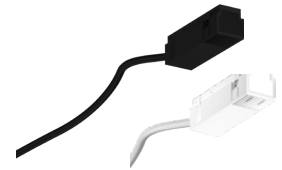
INSIGHT ELECTRIC FLEX CONNECTOR

CODE: **36.0041 ...**



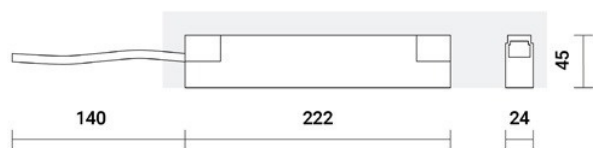
INSIGHT POWER END WITH CABLE

CODE: **36.0031 ...**

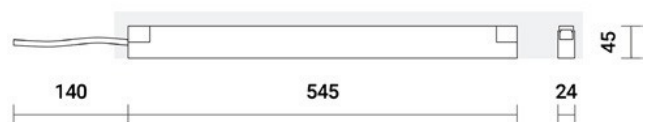


INSIGHT 48V DC POWER SUPPLY

CODE: **36.0301 ...**



CODE: **36.0302 ...**



INSIGHT BALL



DIM

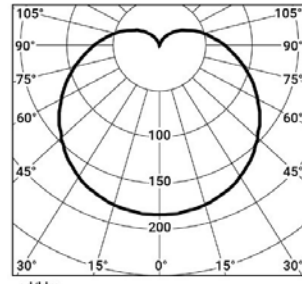
CODE: 36.0151 ...

CODE: 36.0172 ...

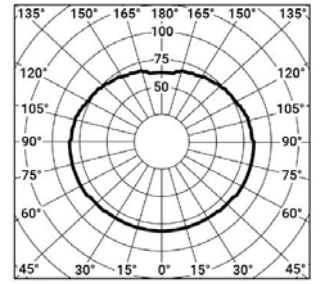


DALI

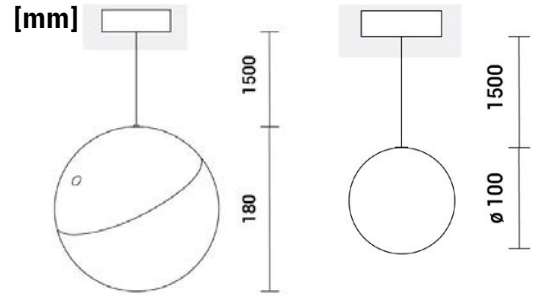
CODE: 36.0171 ...



cd/klm
— C0 - C180 --- C90 - C270



cd/klm
— C0 - C180 --- C90 - C270



Name	Luminaire power	Luminaire luminous flux	Distribution angle	Luminaire luminous efficacy
INSIGHT BALL	7 ~ 31 W	270 ~ 2400 lm	120 ~ 284 °	38 ~ 77 lm/W

INSIGHT DARK LIGHT

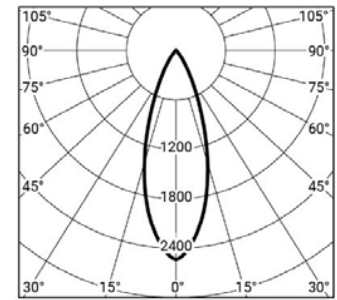
CODE: 36.0111 ...



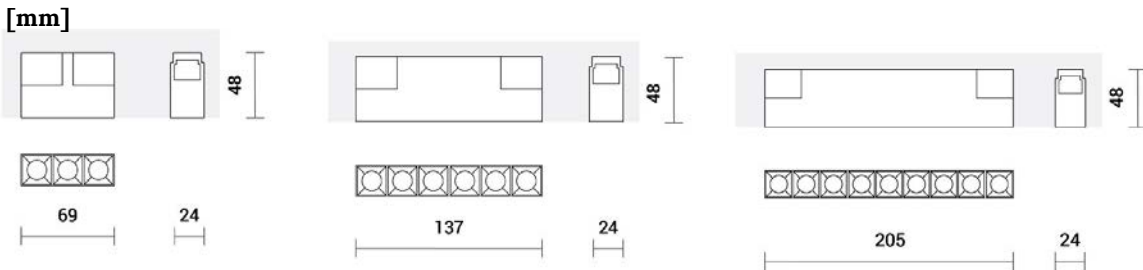
CODE: 36.0112 ...



CODE: 36.0113 ...



cd/klm
— C0 - C180

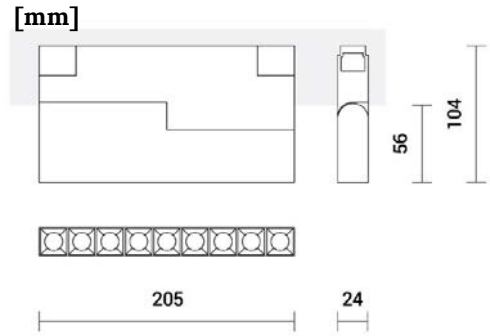
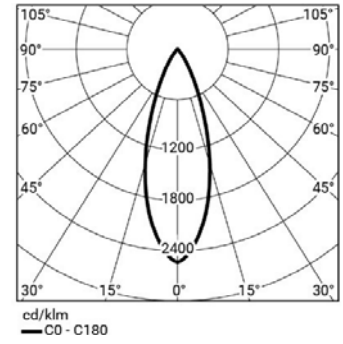
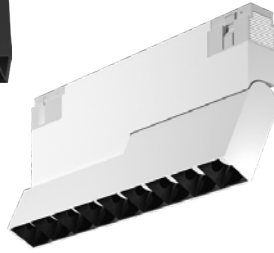


Name	Luminaire power	Luminaire luminous flux	Distribution angle	Luminaire luminous efficacy
INSIGHT DARK LIGHT	5 ~ 12 W	280 ~ 970 lm	35 °	56 ~ 80 lm/W

INSIGHT DARK LIGHT FLEXX



CODE: 36.0163 ...

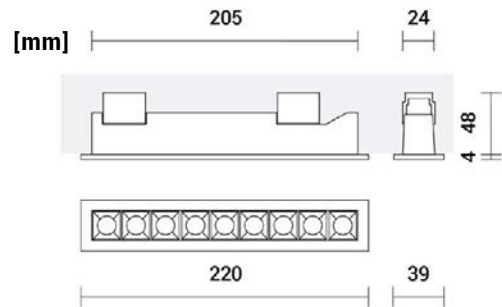
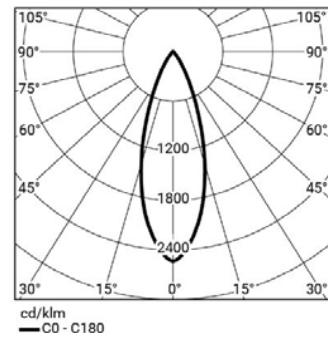


Name	Luminaire power	Luminaire luminous flux	Distribution angle	Luminaire luminous efficacy
INSIGHT DARK LIGHT FLEXX	12 W	870 ~ 940 lm	35 °	72 ~ 78 lm/W

INSIGHT DARK LIGHT IP54



CODE: 36.0213 ...

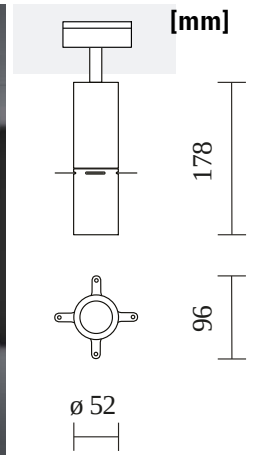


Name	Luminaire power	Luminaire luminous flux	Distribution angle	Luminaire luminous efficacy
INSIGHT DARK LIGHT IP54	12 W	920 lm	30 °	76 lm/W

INSIGHT EYLE



CODE: 36.2150 ...

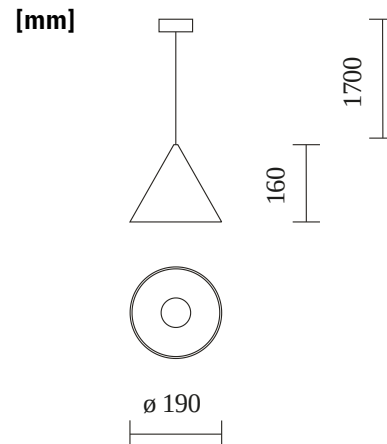
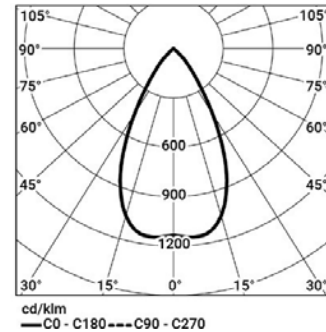


Name	Luminaire power	Luminaire luminous flux	Distribution angle	Luminaire luminous efficacy
INSIGHT EYLE	11 W	420-440 lm	29 °	38-40 lm/W

INSIGHT HOLY JUNIOR



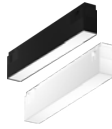
CODE: 36.0610 ...



Name	Luminaire power	Luminaire luminous flux	Distribution angle	Luminaire luminous efficacy
INSIGHT HOLY JUNIOR	15 ~ 21 W	1350 ~ 2150 lm	60 °	85 ~ 106 lm/W

INSIGHT PLX

CODE: 36.0101 ...



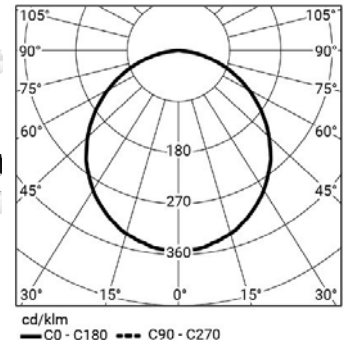
CODE: 36.0103 ...



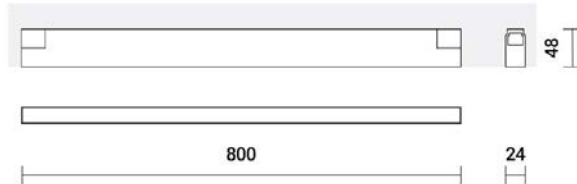
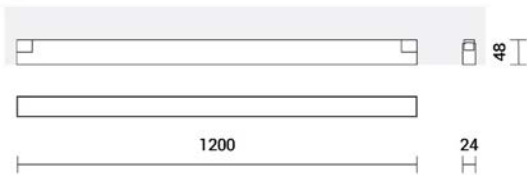
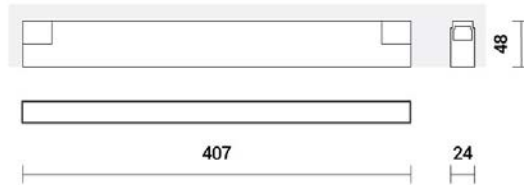
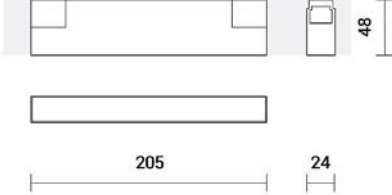
CODE: 36.0102 ...



CODE: 36.0104 ...

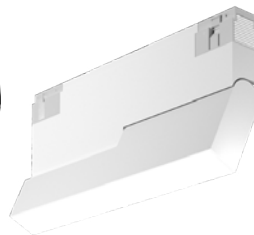


[mm]

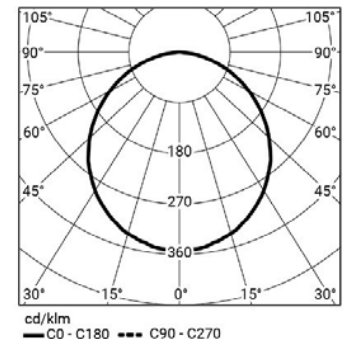


Name	Luminaire power	Luminaire luminous flux	Distribution angle	Luminaire luminous efficacy
INSIGHT PLX	8 ~ 38 W	430 ~ 3050 lm	112 °	53 ~ 80 lm/W

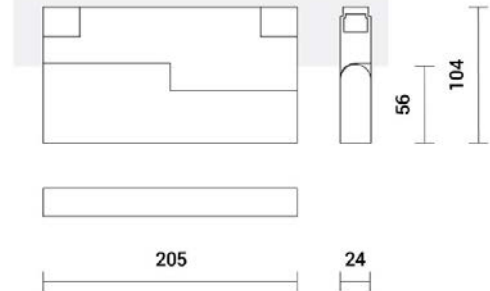
INSIGHT PLX FLEXX



CODE: 36.0152 ...



[mm]



Name	Luminaire power	Luminaire luminous flux	Distribution angle	Luminaire luminous efficacy
INSIGHT PLX FLEXX	7 W	370 ~ 430 lm	112 °	52 ~ 61 lm/W

INSIGHT SPOT

CODE: 36.0101 ...



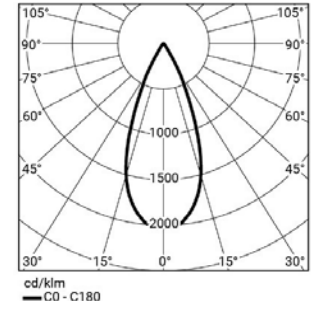
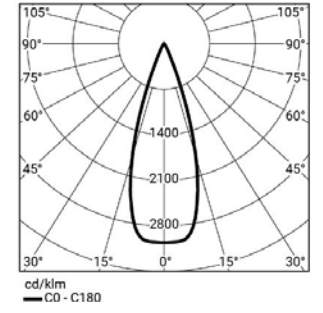
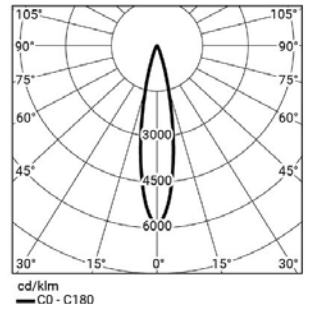
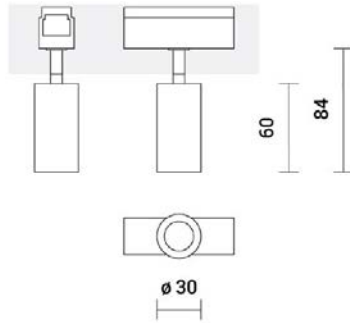
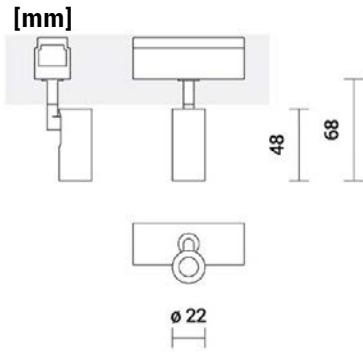
CODE: 36.0103 ...



CODE: 36.0102 ...

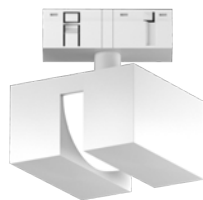


CODE: 36.0104 ...

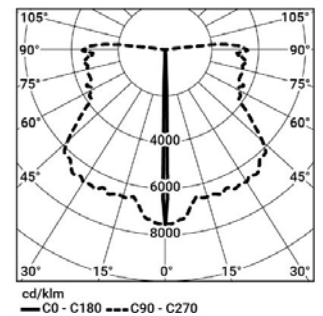
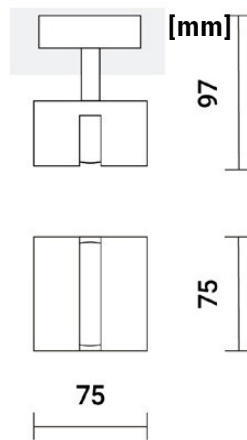


Name	Luminaire power	Luminaire luminous flux	Distribution angle	Luminaire luminous efficacy
INSIGHT SPOT	4 ~ 21 W	160 ~ 1800 lm	27 ~ 37 °	40 ~ 86 lm/W

INSIGHT TESER



CODE: 36.1130 ...



Name	Luminaire power	Luminaire luminous flux	Distribution angle	Luminaire luminous efficacy
INSIGHT TESER	7 W	70 ~ 80 lm	118 °	10 ~ 11 lm/W

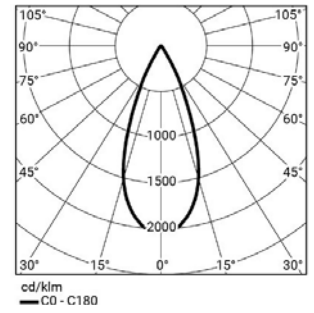
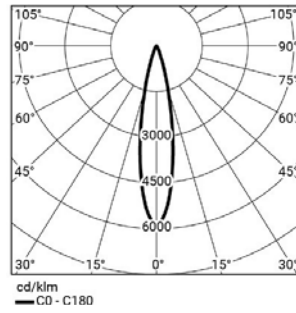
INSIGHT TUBE



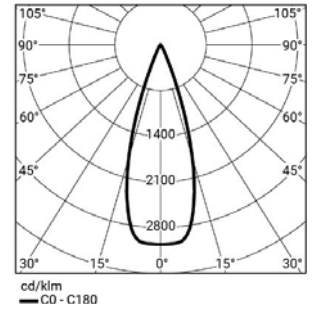
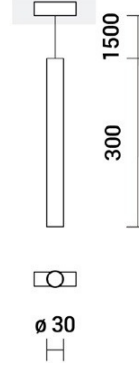
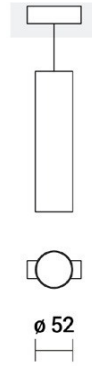
CODE: 36.0122 ...



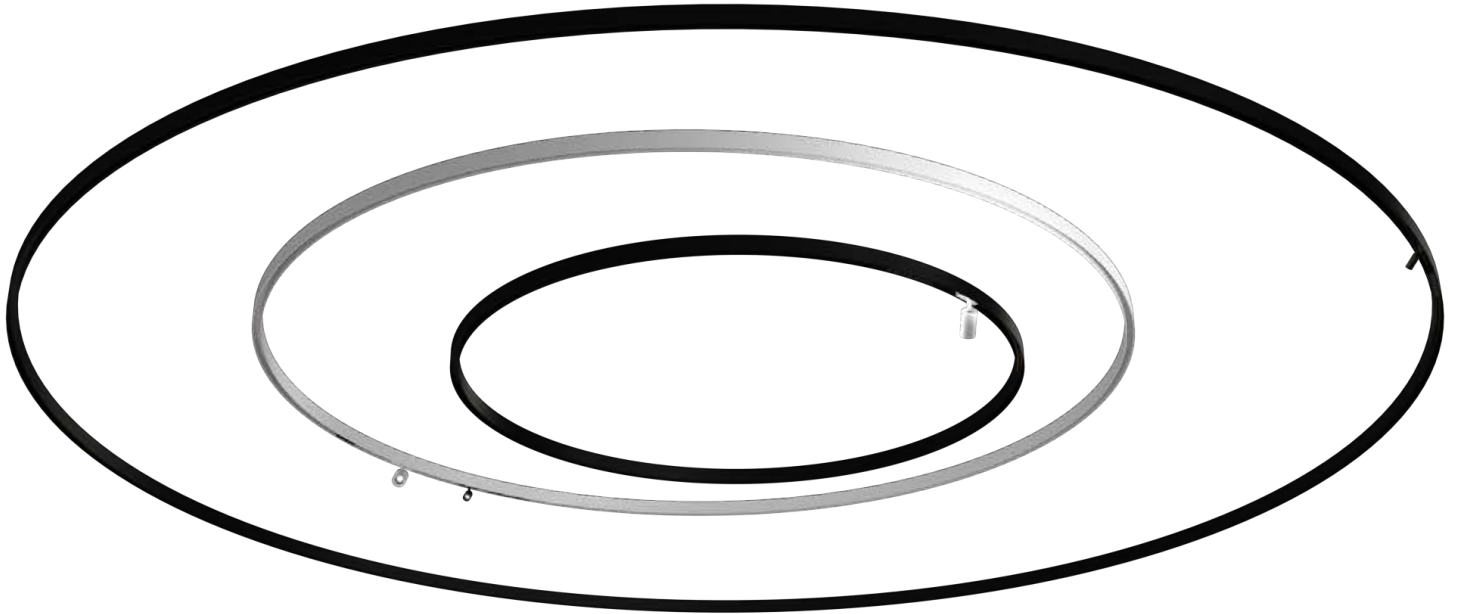
CODE: 36.0123 ...



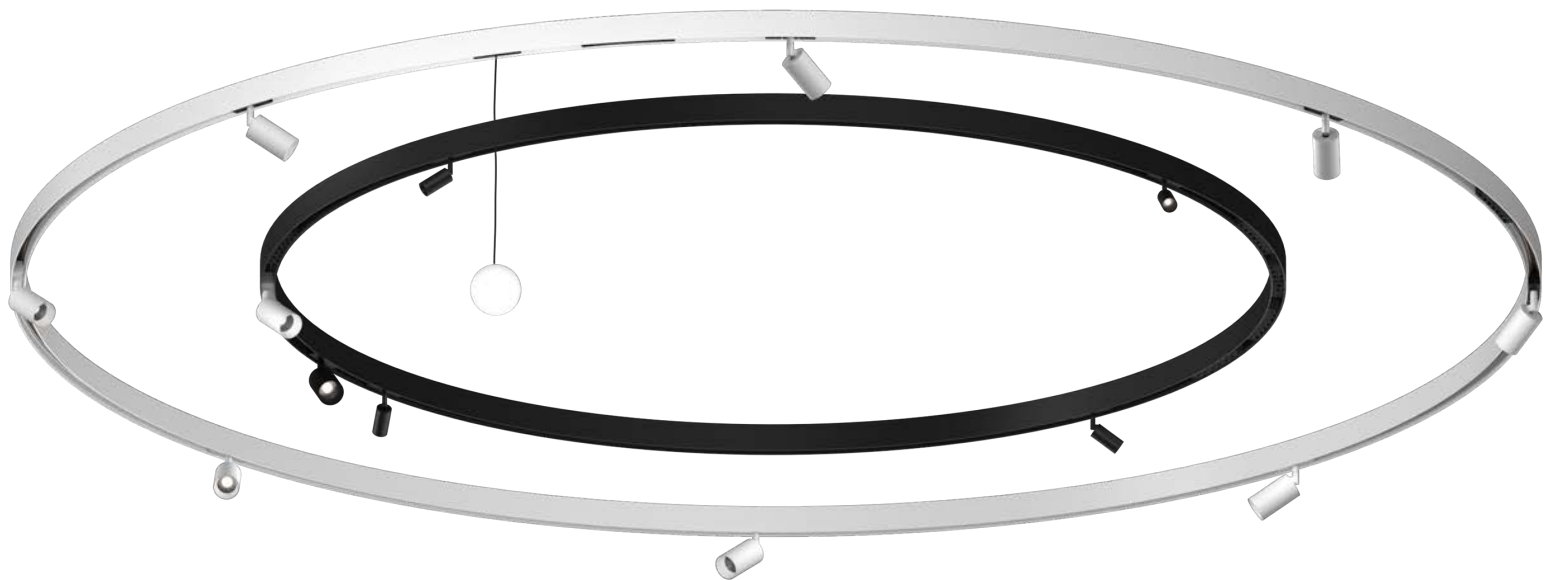
[mm]



Name	Luminaire power	Luminaire luminous flux	Distribution angle	Luminaire luminous efficacy
INSIGHT TUBE	10 ~ 21 W	510 ~ 1800 lm	24°, 34°, 47°, 60°	51 ~ 85 lm/W

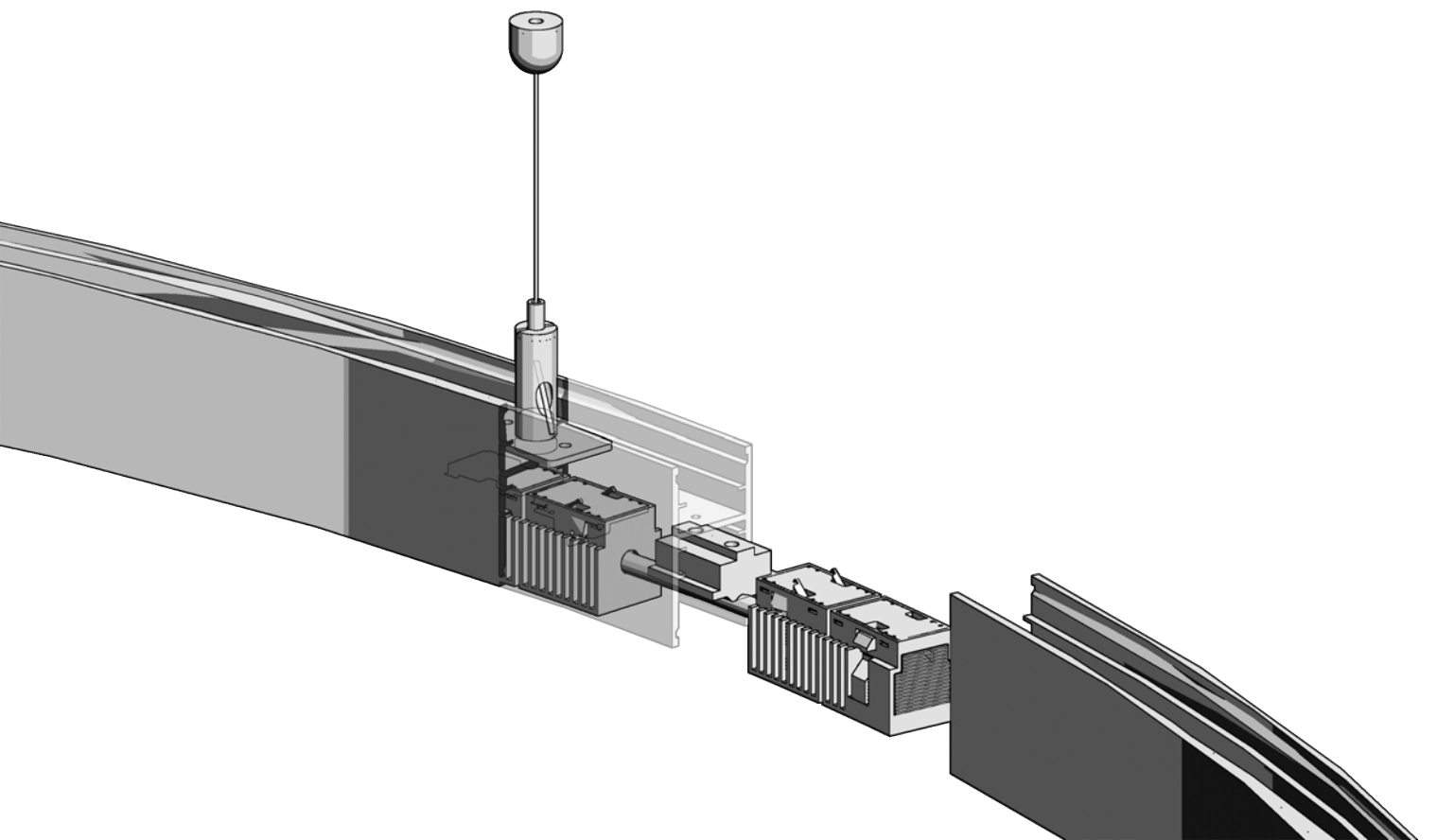
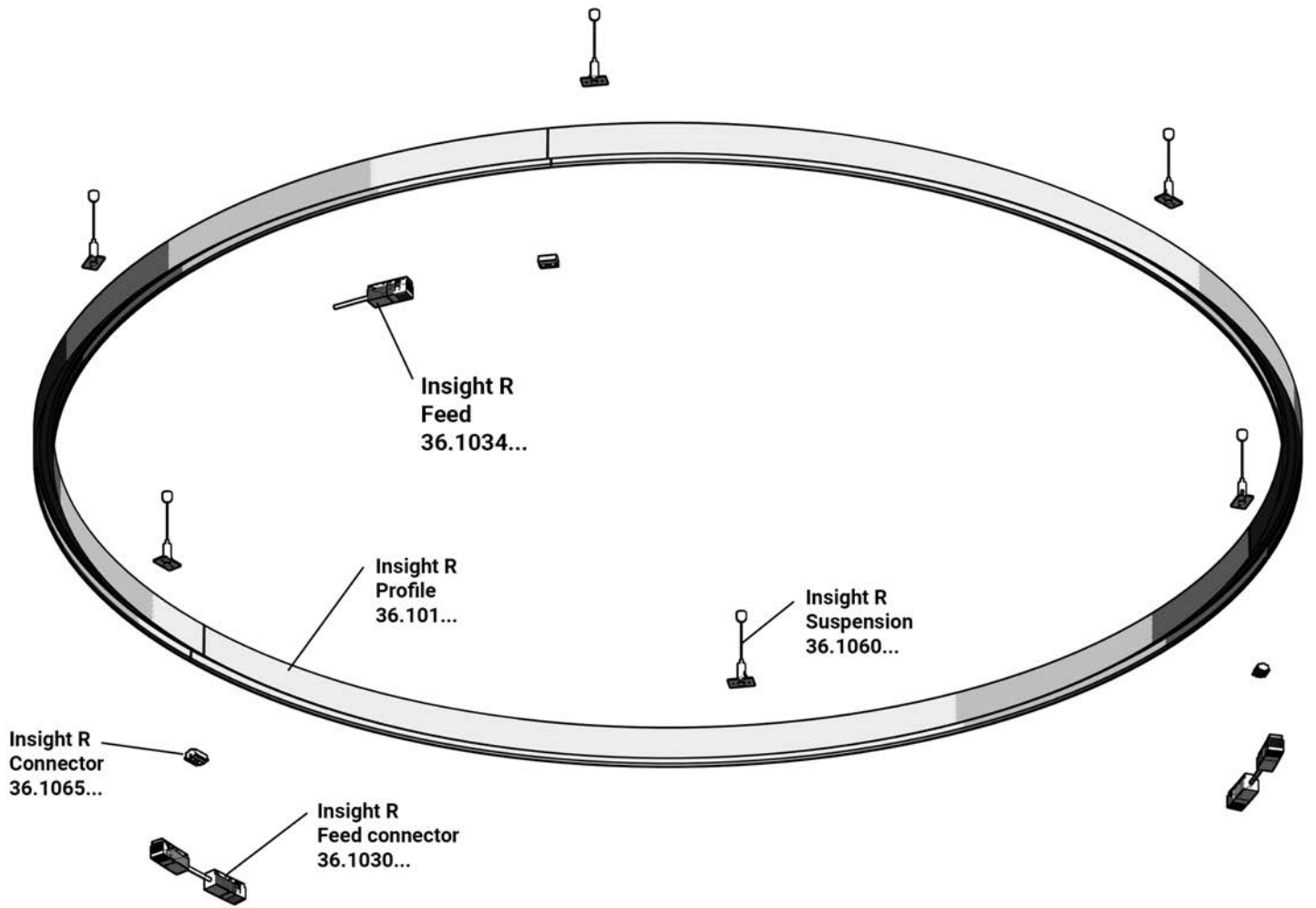


INSIGHT R



**INSIGHT R LUMINAIRES COULD BE USED WITH THE INSIGHT PROFILES.
INSIGHT LUMINAIRES COULD NOT BE USED WITH THE INSIGHT R PROFILES.**

SUSPENDED MOUNTING

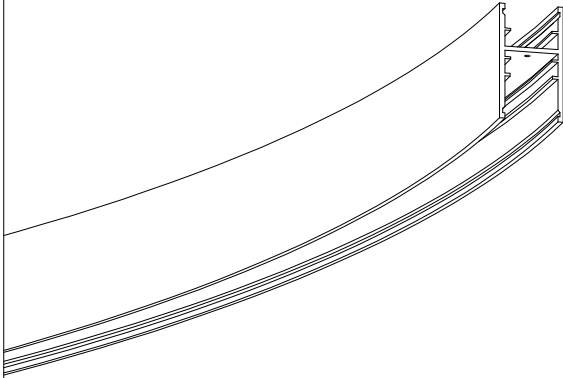


32 MOUNTING INSTRUCTION INSIGHT R

suspended mounting

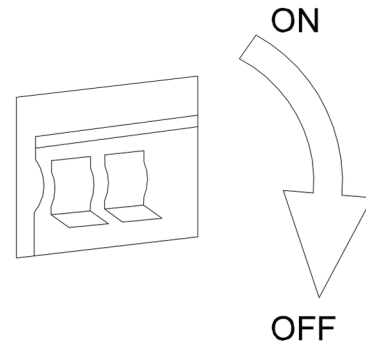
1

Insight
R



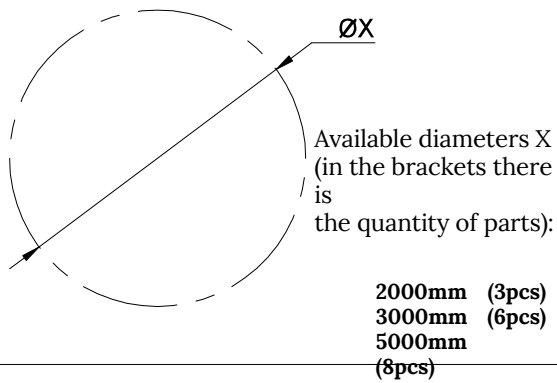
2

Turn off power supply



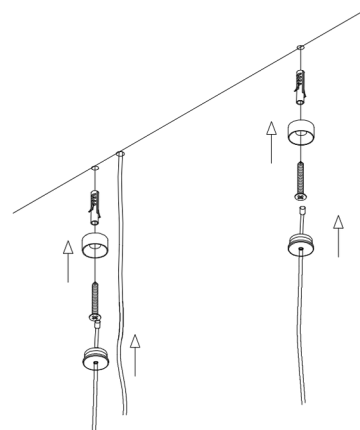
3

Mark the mounting holes on the ceiling according to the number of parts of the circle.
Recommended quantity of suspensions - 2 suspensions per 1 part.



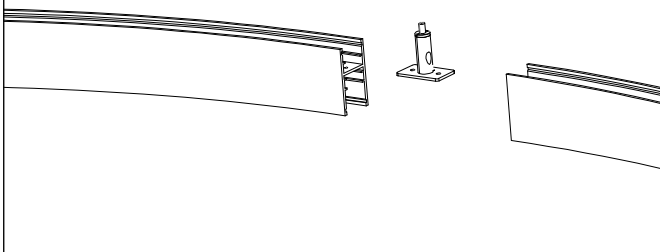
4

Attach suspension cables to the ceiling, use appropriate mounting dowels for a given surface



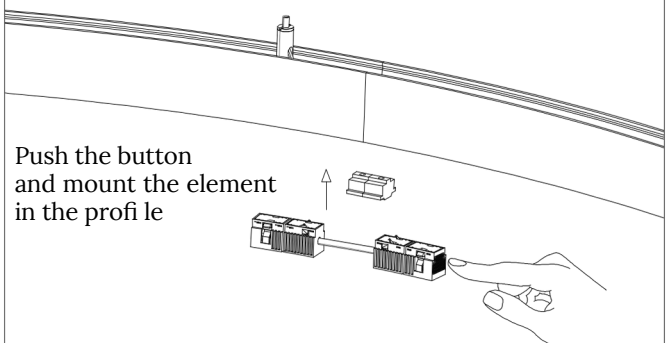
5

Insert the suspension to the profile



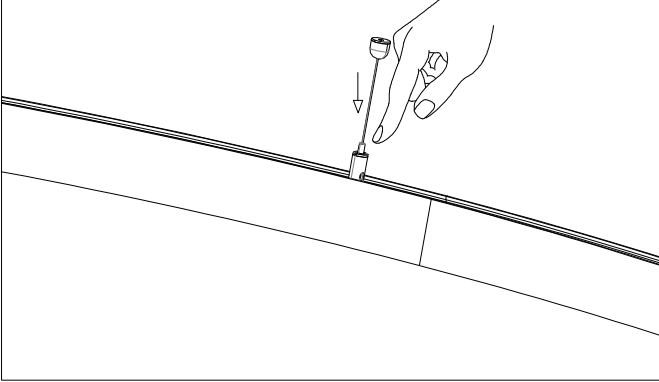
6

Connect the profile parts using both mechanical and electrical connectors



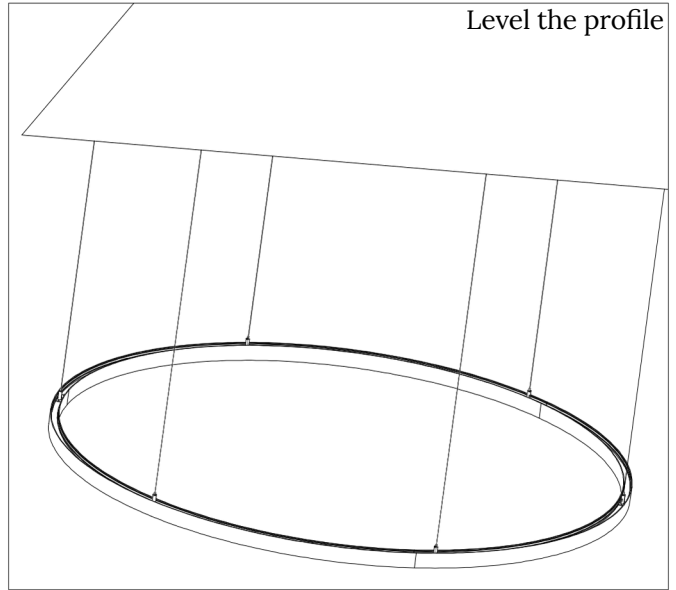
7

Adjust the height of the luminaire suspension



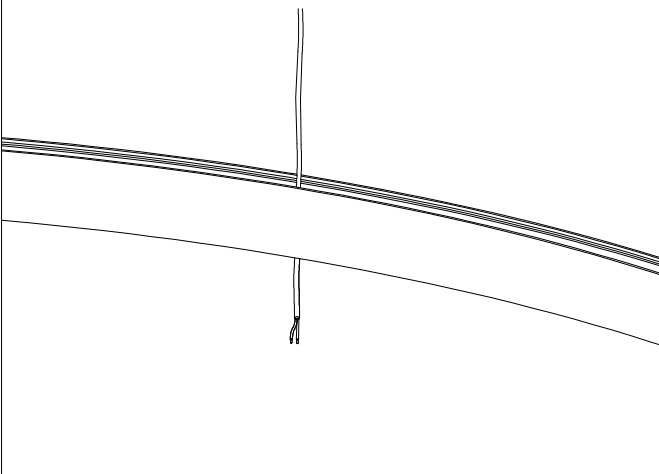
8

Level the profile



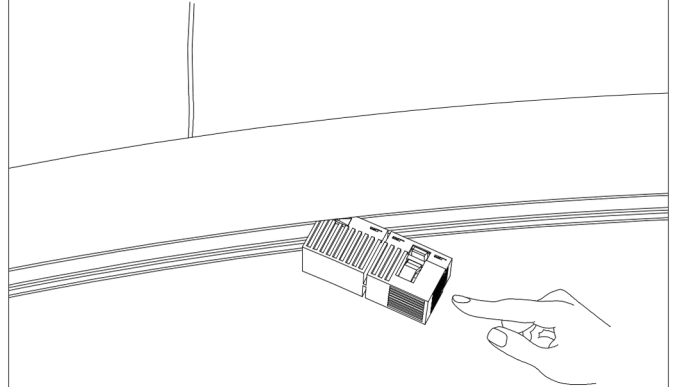
9

Pass the feeding cable



10

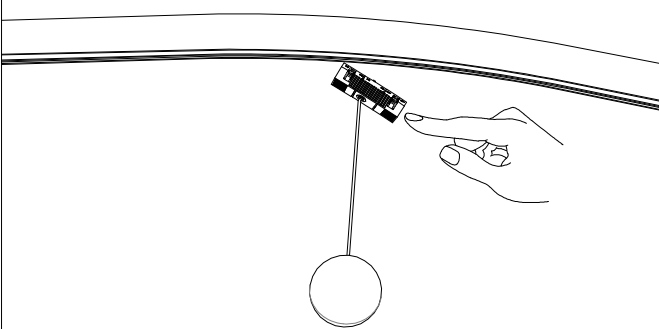
Connect the power supply to the Insight profile using a dedicated power supply or power tap. The operating voltage of the Insight system is 48V DC



11

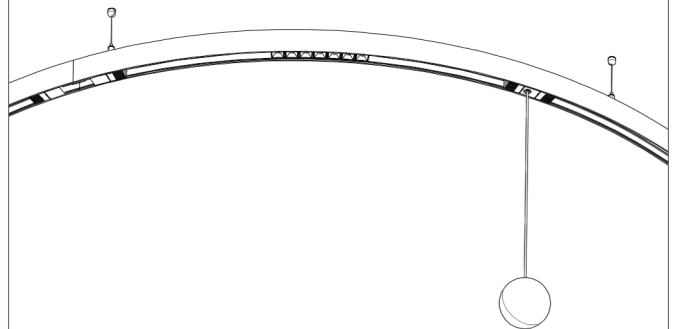
Install the fittings in the profile

Attention! In the INSIGHT R profile ONLY luminaires adapted to this type of profile should be mounted



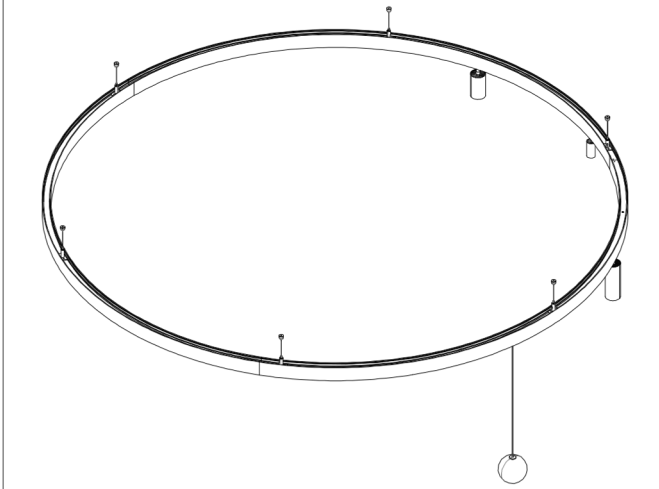
12

Clean the profile and luminaires



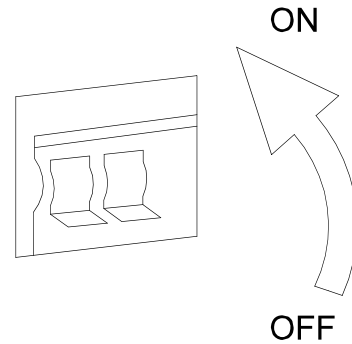
13

Maximum permissible single current electric circuit
10A (480W)



14

Turn on power supply



The 48V DC cables should be run separately from the mains connections and mains cables to ensure good EMC conditions.

The 48 V DC output wiring should be kept as short as possible to ensure good EMC.

The max. secondary cable length is 30 m (60 m circuit) till beginning of a grounded metal track light.

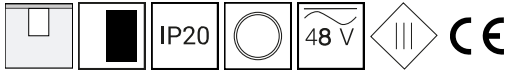
If track light is not grounded or made of plastic, cable length including track light is 30 m.

Inside the track light cable length is limited by voltage drop that last element 48V in the track light is still supplied with minimum 46 V.

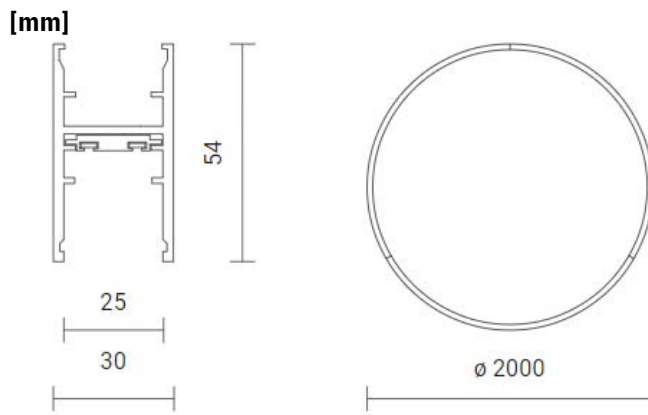
Secondary switching is not permitted.



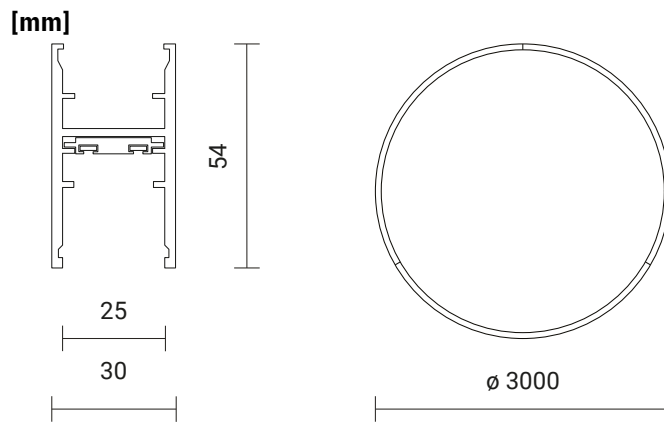
INSIGHT R PROFILE



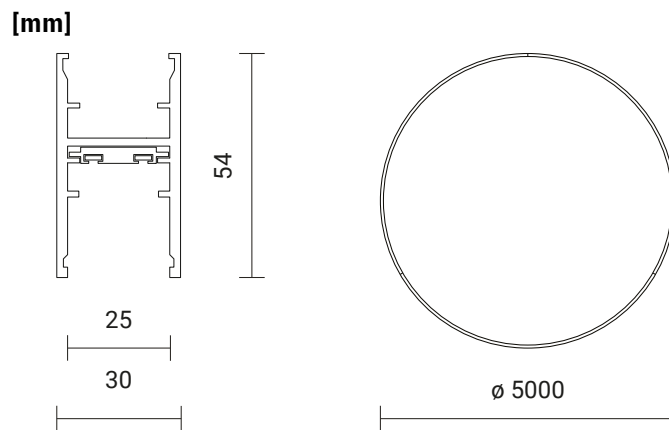
CODE: **36.1015 ...**



CODE: **36.1016 ...**



CODE: **36.1017 ...**



INSIGHT R SPOT

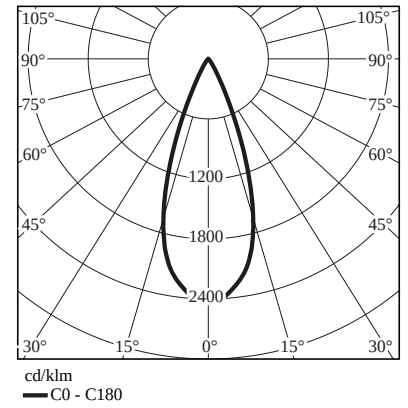
CODE: 36.0102 ...



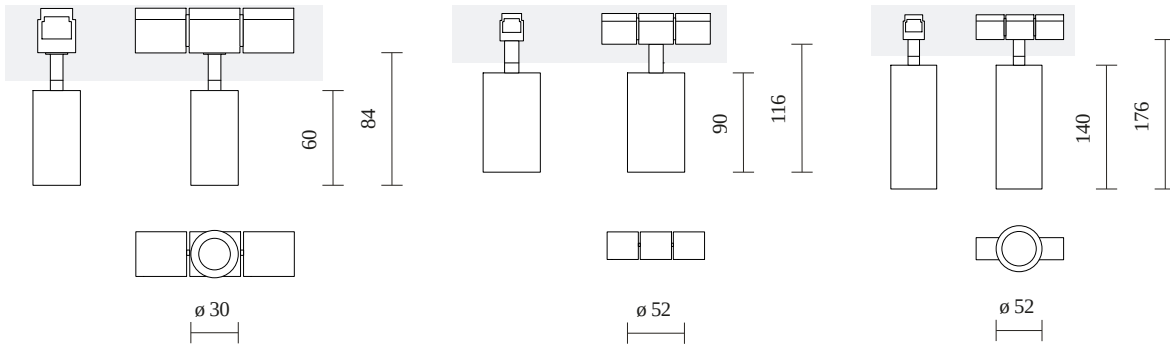
CODE: 36.0103 ...



CODE: 36.0104 ...



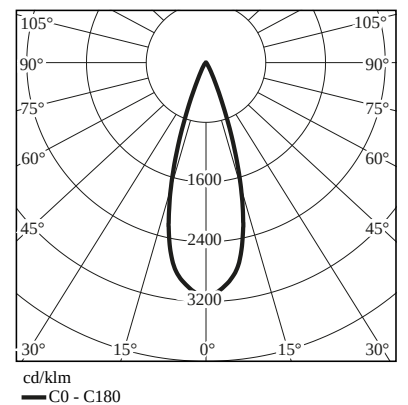
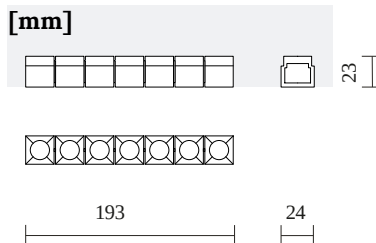
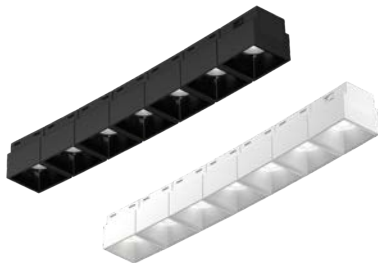
[mm]



Name	Luminaire power	Luminaire luminous flux	Distribution angle	Luminaire luminous efficacy
INSIGHT R SPOT	11 ~ 23 W	660 ~ 2050 lm	38 °	60 ~ 89 lm/W

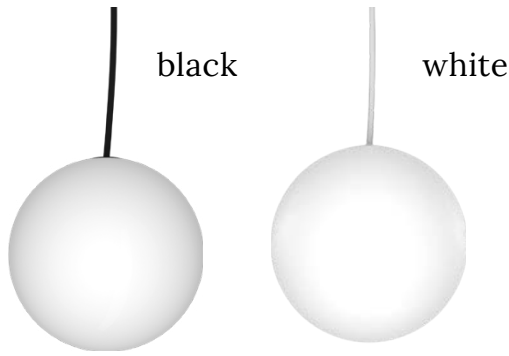
INSIGHT R DARK LIGHT

CODE: 36.1106 ...

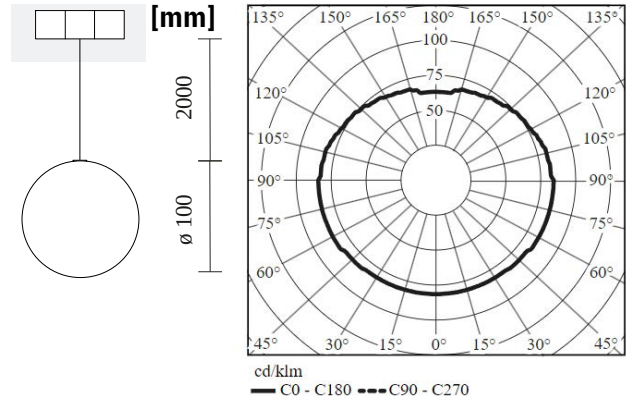


Name	Luminaire power	Luminaire luminous flux	Distribution angle	Luminaire luminous efficacy
INSIGHT R DARK LIGHT	9W	370 ~ 400 lm	30 °	41 ~ 44 lm/W

INSIGHT R Golf



CODE: 36.1175 ...

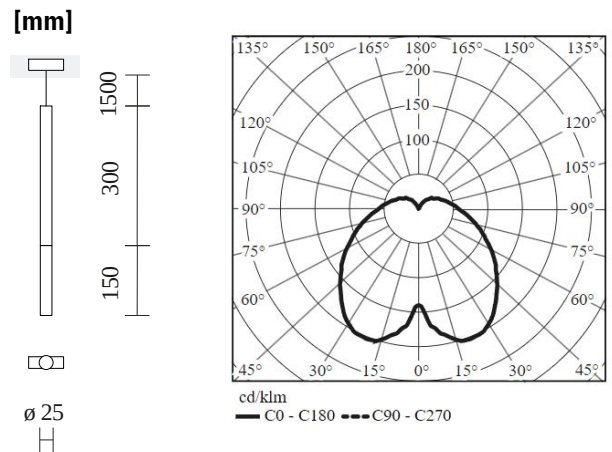


Name	Luminaire power	Luminaire luminous flux	Distribution angle	Luminaire luminous efficacy
INSIGHT R GOLF	7 W	350 ~ 390 lm	360°	50 ~ 55 lm/W

INSIGHT R TEVA



CODE: 36.1185 ...

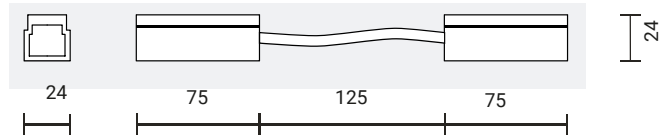


Name	Luminaire power	Luminaire luminous flux	Distribution angle	Luminaire luminous efficacy
INSIGHT R TEVA	9 W	510 ~ 560 lm	138°	56 ~ 62 lm/W

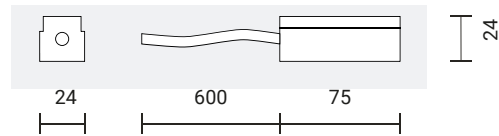
INSIGHT R - CONNECTOR

CODE: **36.1065 ...**

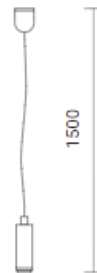
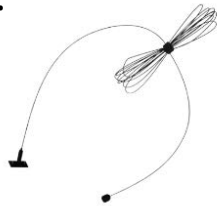
INSIGHT - FEED CONNECTOR FLEXIBLE ELECTRICAL WITH CABLE 48V/DC

CODE: **36.1030 ...**

INSIGHT - FEED CABLE POWER TERMINAL WITH CABLE L-600MM 48V/DC

CODE: **36.1034 ...**

INSIGHT - SUSPENSION SUSPENSION WIRE L-1500MM NIKIEL

CODE: **36.1060 ...**



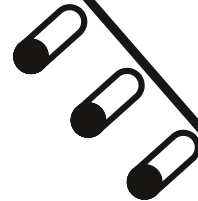
Apartamenty Warsaw



INSIGHT SYSTEM



SPECTRA
LIGHTING



23 years
in the lighting industry

www.spectra-lighting.pl

